



Spare Parts List

Self-Propelled motor mower
RoughCutter Hydro

models

RCH 1365 - RCH 1480 - RCH 16100 - RCH 18100 - RCH 18120



Order number: E00009

from machine number: 69976

Rev.: R08

Status:11.2022

Kersten
SITE MAINTENANCE EQUIPMENT

Telephone: 0118 9869 253

Email: office@kerstenuk.com

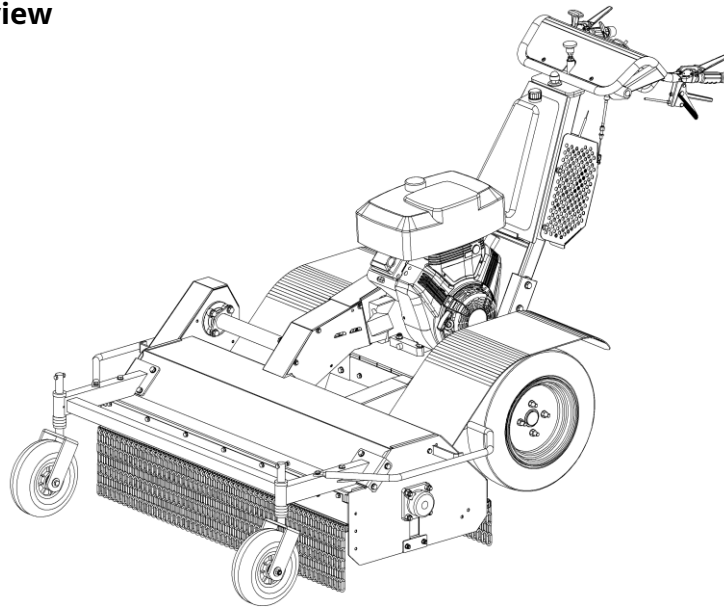
Progress House, 39 Boulton Road, Reading, Berkshire, RG2 0NH, United Kingdom

<https://kerstenuk.com/>

table of contents

1	MODEL OVERVIEW	1
1.1	RCH 1365 G - C01336 R04	1
1.2	RCH 1480 G - C01337 R04	1
1.3	RCH 1480 GE - C01338 R04	2
1.4	RCH 16100 G - C01339 R04	2
1.5	RCH 16100 GE - C01340 R04	2
1.6	RCH 18100 G - C01341 R04	3
1.7	RCH 18100 GE - C01342 R04	3
1.8	RCH 18120 GE - C01343 R04	3
1.9	RCH 18100 Alpin E - C01344 R04	4
1.10	RCH 18120 Alpin E - C01345 R04	4
2	COMPONENT OVERVIEW	5
2.1	KM - Base vehicle for Honda engine - Assembly - C01392 R03	5
2.2	KM - Base vehicle for B&S engine - Assembly - C01263 R03	6
2.3	KM - Base housing for Honda engine - C01016 R03	7
2.4	KM - Base housing for B&S engine - C00755 R00	8
2.5	Short drive unit 378 with FSB - C01026 R03	9
2.6	Short drive unit 445 with FSB - C00572 R03	11
2.7	Long drive unit 445 with FSB - C00238 R03	13
2.8	Drivetrain for KM with Honda engine - C01391 R03	15
2.9	Drivetrain for KM with B&S engine - C01249 R03	16
2.10	Guide bar, swivel bracket with tank - C01267 R00	17
2.11	Guide bar, without swivel bracket with tank - C01268 R00	18
2.12	Hydraulic control - C00589 R03	19
2.13	Control console - C01388 R02	20
2.14	Hydraulic hose set RCH - C01619 R01	22
2.15	Wiring harness for RoughCutter Hydro - C03604 R00	23
2.16	Assembly of two-wheel tractor and flail mower 65AB/80AB C01505 R02	24
2.17	Assembly of two-wheel tractor and flail mower 100AB-C01506 R02	26
2.18	Assembly of two-axle tractor and flail mower 120AB-C00283 R02	28
2.19	Flail mower 65 AB - C01227 R02	29
2.20	Flail mower 80 AB - C01228 R02	30
2.21	Flail mower 100 AB - C01229 R02	31
2.22	Flail mower 120 AB - C01230 R01	31
2.23	Flail mower 65 AB - Assembly - C01245 R02	32
2.24	Flail mower 80 AB - Assembly - C01246 R02	34
2.25	Flail mower 100 AB - Assembly - C01247 R02	36
2.26	Flail mower 120 AB - Assembly - C01248 R02	37
2.27	Wheel holder 65 AB - C01218 R01	38
2.28	Wheel holder 80 AB - C01137 R01	39
2.29	Wheel holder 100 AB - C01231 R01	39
2.30	Wheel holder 120 AB - C01151 R01	39
2.31	flail shaft 65 AB -C01417 R00	40
2.32	flail shaft 80 AB -C01241 R00	41
2.33	Flail shaft 100 AB - C01242 R00	41
2.34	Flail shaft 120 AB - C01243 R00	41
2.35	Front chain guard 65 AB - C01219 R01	42
2.36	Front chain guard 80 AB - C01138 R01	42
2.37	Front chain guard 100 AB - C01153 R01	42
2.38	Front chain guard 120 AB - C01148 R01	42
2.39	Rear chain guard 65 AB - C01220 R01	43
2.40	Rear chain guard 80 AB - C01139 R01	43
2.41	Rear chain guard 100 AB - C01154 R01	43
2.42	Rear chain guard 120 AB - C01149 R01	43
2.43	E-Start for RoughCutter - C03687 R00	44
2.44	Lever mechanism for parking brake on the guide bar (double cable) C03949 R00	45
3	ACCESSORIES	46
3.1	Wheel weights - C00122 R00	46
4	MISCELLANEOUS	47
4.1	Tire and wheel hub list - D00001 R01	47

1 model overview



1.1 RCH 1365 G - C01336 R04

No.	Art.-No.	No.	designation
1	C01392 R00	1	KM base vehicle for Honda engine - assembly
2	C01391 R02	1	Drivetrain for KM with Honda engine
3	920 000 023	1	Honda engine 13 HP without electric start
4	C01016 R03	1	KM base housing for Honda engine
5	C01026 R03	1	Axle carrier 378 narrow version with FSB
6	C01268 R00	1	Handlebar without swivel bracket with tank
7	C00589 R03	1	hydraulic control
8	C01388 R02	1	control console
9	C01619 R00	1	hydraulic hose set
10	C01505 R00	1	Assembly of two-wheel tractor and flail mower
11	C01227 R00	1	flail mower 65 AB

1.2 RCH 1480 G - C01337 R04

No.	Art.-No.	No.	designation
1	C01263 R03	1	KM base vehicle for B&S engine - assembly
2	C01249 R03	1	Drivetrain for KM with B&S engine
3	920 000 114	1	B&S engine 14 HP without electric start
4	C00755 R00	1	KM base housing for B&S engine
5	C00572 R03	1	Axle carrier 445 narrow version with FSB
6	C01268 R00	1	Handlebar without swivel bracket with tank
7	C00589 R03	1	hydraulic control
8	C01388 R02	1	control console
9	C01619 R00	1	hydraulic hose set
10	C01505 R00	1	Assembly of two-wheel tractor and flail mower
11	C01228 R00	1	flail mower 80 AB

1.3 RCH 1480 GE – C01338 R04

No.	Art.-No.	No.	designation
1	C01263 R03	1	KM base vehicle for B&S engine - assembly
2	C01249 R03	1	Drivetrain for KM with B&S engine
3	920 000 115	1	B&S engine 14 HP with electric start
4	C00755 R00	1	KM base housing for B&S engine
5	C00572 R03	1	Axle carrier 445 narrow version with FSB
6	C01268 R00	1	Handlebar without swivel bracket with tank
7	C00589 R03	1	hydraulic control
8	C01388 R02	1	control console
9	C01619 R00	1	hydraulic hose set
10	C01505 R00	1	Assembly of two-wheel tractor and flail mower
11	C01228 R00	1	flail mower 80 AB
12	C03687 R00	1	E-Start

1.4 RCH 16100 G – C01339 R04

No.	Art.-No.	No.	designation
1	C01263 R03	1	KM base vehicle for B&S engine - assembly
2	C01249 R03	1	Drivetrain for KM with B&S engine
3	920 000 014	1	B&S engine 16 HP without electric start
4	C00755 R00	1	KM base housing for B&S engine
5	C00238 R03	1	Long drive unit 445 with FSB
6	C01268 R00	1	Handlebar without swivel bracket with tank
7	C00589 R03	1	hydraulic control
8	C01388 R02	1	control console
9	C01619 R00	1	hydraulic hose set
10	C01506 R00	1	Assembly of two-wheel tractor and flail mower
11	C01229 R00	1	flail mower 100 AB

1.5 RCH 16100 GE – C01340 R04

No.	Art.-No.	No.	designation
1	C01263 R03	1	KM base vehicle for B&S engine - assembly
2	C01249 R03	1	Drivetrain for KM with B&S engine
3	920 000 008	1	B&S engine 16 HP with electric start
4	C00755 R00	1	KM base housing for B&S engine
5	C00238 R03	1	Long drive unit 445 with FSB
6	C01268 R00	1	Handlebar without swivel bracket with tank
7	C00589 R03	1	hydraulic control
8	C01388 R02	1	control console
9	C01619 R00	1	hydraulic hose set
10	C01506 R00	1	Assembly of two-wheel tractor and flail mower
11	C01229 R02	1	flail mower 100 AB
12	C03687 R00	1	E-Start

1.6 RCH 18100 G – C01341 R04

No.	Art.-No.	No.	designation
1	C01263 R03	1	KM base vehicle for B&S engine - assembly
2	C01249 R03	1	Drivetrain for KM with B&S engine
3	920 000 218	1	B&S engine 18 HP without electric start
4	C00755 R00	1	KM base housing for B&S engine
5	C00238 R03	1	Long drive unit 445 with FSB
6	C01268 R00	1	guide bar, without swivel bracket with tank
7	C00589 R03	1	hydraulic control
8	C01388 R02	1	control console
9	C01619 R00		hydraulic hose set
10	C01506 R00	1	Assembly of two-wheel tractor and flail mower
11	C01229 R02	1	flail mower 100 AB

1.7 RCH 18100 GE – C01342 R04

No.	Art.-No.	No.	designation
1	C01263 R03	1	KM base vehicle for B&S engine - assembly
2	C01249 R03	1	Drivetrain for KM with B&S engine
3	920 000 118	1	B&S engine 18 HP with electric start
4	C00755 R00	1	KM base housing for B&S engine
5	C00238 R03	1	Long drive unit 445 with FSB
6	C01268 R00	1	guide bar, without swivel bracket with tank
7	C00589 R03	1	hydraulic control
8	C01388 R02	1	control console
9	C01619 R00	1	hydraulic hose set
10	C01506 R00	1	Assembly of two-wheel tractor and flail mower
11	C01229 R02	1	flail mower 100 AB
12	C03687 R00	1	E-Start

1.8 RCH 18120 GE – C01343 R04

No.	Art.-No.	No.	designation
1	C01263 R03	1	KM base vehicle for B&S engine - assembly
2	C01249 R03	1	Drivetrain for KM with B&S engine
3	920 000 118	1	B&S engine 18 HP with electric start
4	C00755 R00	1	KM base housing for B&S engine
5	C00238 R03	1	Long drive unit 445 with FSB
6	C01268 R00	1	guide bar, without swivel bracket with tank
7	C00589 R03	1	hydraulic control
8	C01388 R02	1	control console
9	C01619 R00	1	hydraulic hose set
10	C00283 R02	1	Assembly of two-wheel tractor and flail mower
11	C01230 R02	1	flail mower 120 AB
12	C03687 R00	1	E-Start

1.9 RCH 18100 Alpin E - C01344 R04

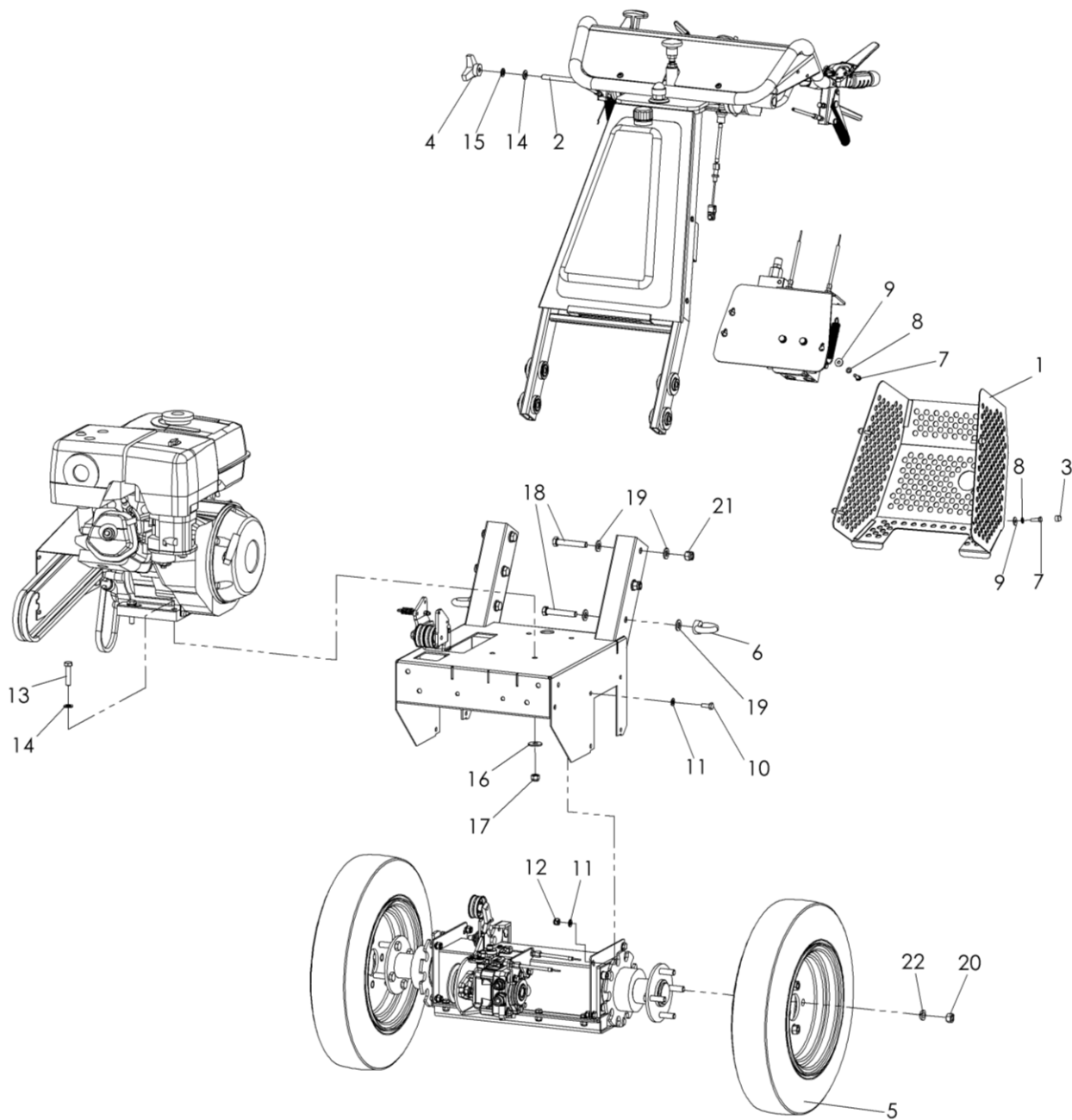
No.	Art.-No.	No.	designation
1			
2			
3	920 000 118	1	B&S engine 18 HP with electric start
4			
5			
6	C01267 R00	1	guide bar, swivel console with tank
7	C00589 R03	1	hydraulic control
8	C01388 R02	1	control console
9	C01619 R00		hydraulic hose set
10	C01506 R00	1	Assembly of two-wheel tractor and flail mower
11	C01229 R00	1	flail mower 100 AB
12	C03687 R00	1	E-Start

1.10 RCH 18120 Alpin E - C01345 R04

No.	Art.-No.	No.	designation
1			
2			
3	920 000 118	1	B&S engine 18 HP with electric start
4			
5			
6	C01267 R00	1	guide bar, swivel console with tank
7	C00589 R03	1	hydraulic control
8	C01388 R02	1	control console
9	C01619 R00	1	hydraulic hose set
10	C00283 R02	1	Assembly of two-wheel tractor and flail mower
11	C01230 R00	1	flail mower 120 AB
12	C03687 R00	1	E-Start

2 assembly overview

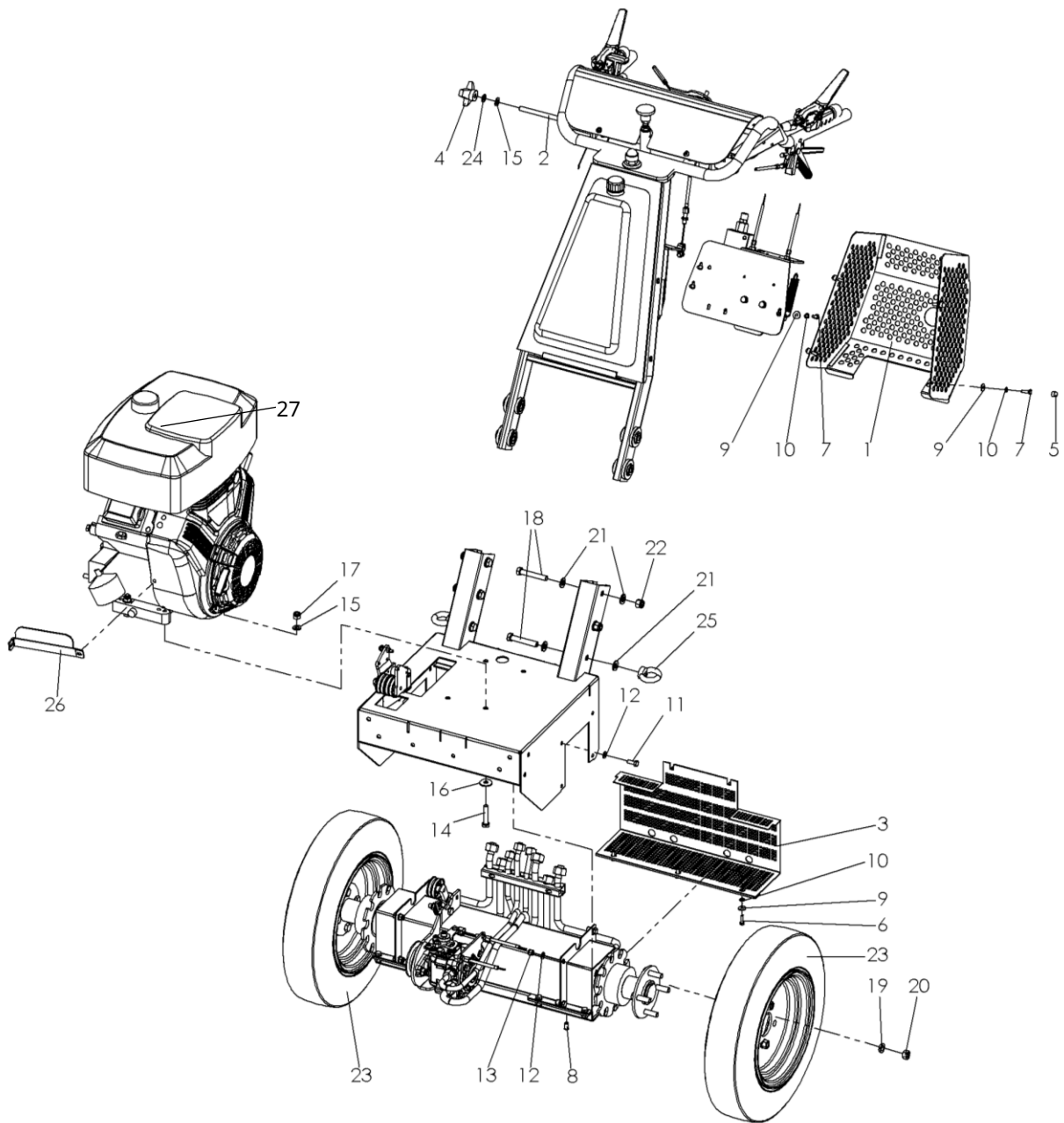
2.1 KM - Base vehicle for Honda engine - Assembly - C01392 R03



No.	Art.-No.	No.	designation
1	770,000,020	1	hood
2	C01260	1	tension rod
3	943 559 006	4	cover cap
4	941 245 331	1	three-star handle
5	926 110 410	2	Tires
6	900 012 017	2	ring nut
7	901 006 020	7	hexagon screw without shaft
8	905,006,000	7	spring ring
9	905 206 025	7	K-disk
10	901 008 020	8	hexagon screw without shaft
11	905,108,000	16	U-disk
12	900 008 002	8	lock nut

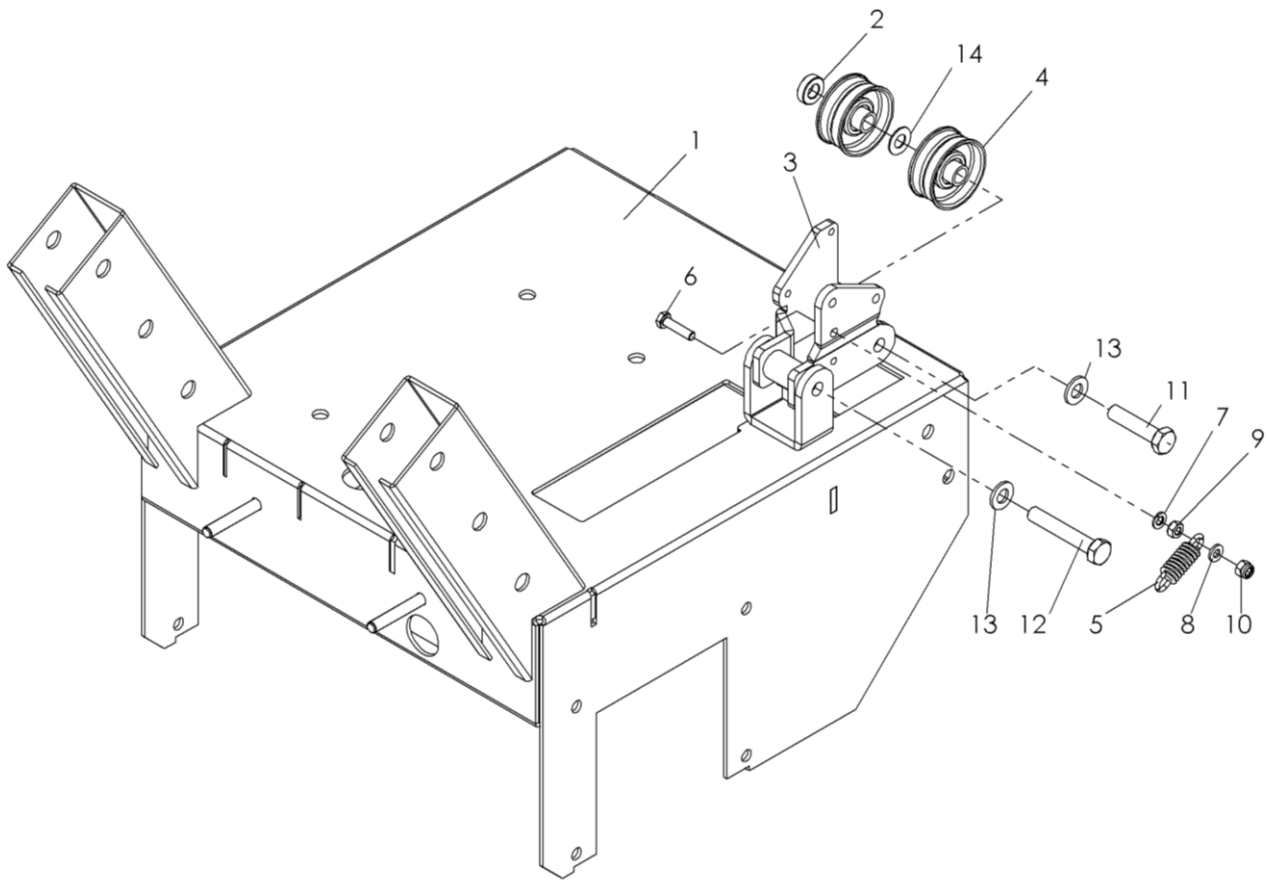
No.	Art.-No.	No.	designation
13	901 010 045	4	hexagon screw without shaft
14	905,110,000	5	U-disk
15	905,010,000	1	spring ring
16	905,210,000	4	K-disk
17	900 010 002	4	lock nut
18	901 112 070	6	hexagon screw with shaft
19	905,112,000	12	U-disk
20	900 012 001	8	Skt.-Mutter
21	900 012 002	4	lock nut
22	905,712,000	8	Liemesring

2.2 KM – Base vehicle for B&S engine – Assembly – C01263 R03



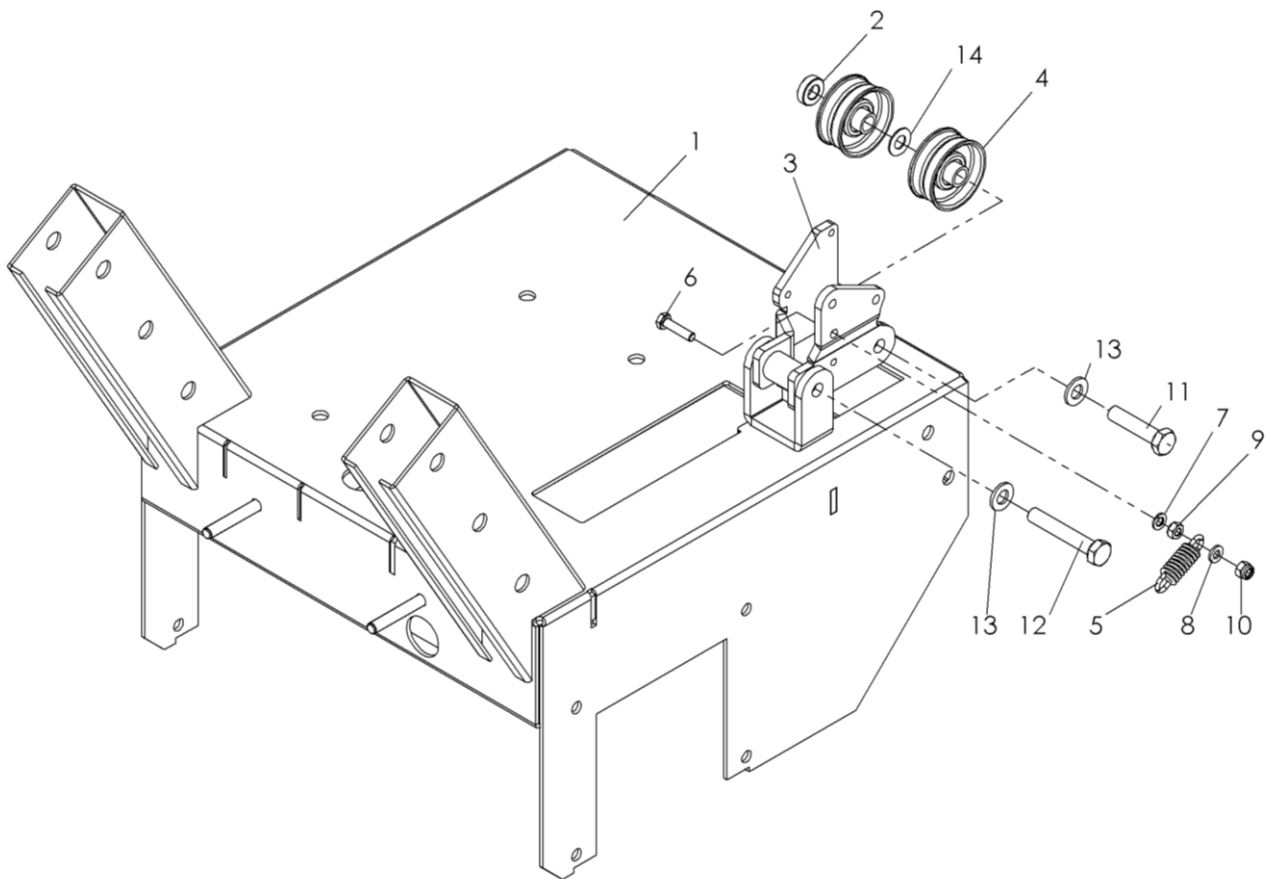
No.	Art.-No.	No.	designation	No.	Art.-No.	No.	designation
1	770,000,020	1	hood	14	901 010 050	4	hexagon screw without shaft
2	C01260	1	tension rod	15	905,110,000	5	U-disk
3	C00374	1	mudguard	16	905,210,000	4	K-disk
4	941 245 331	1	three-star handle	17	900 010 002	4	lock nut
5	943 559 006	4	cover cap	18	901 112 070	6	hexagon screw with shaft
6	901 006 020	3	hexagon screw	19	905,712,000	8	Limesring
7	901 006 020	7	hexagon screw without shaft	20	900 012 001	8	Skt.-Mutter
8	900 006 006	3	pull-in nut	21	905,112,000	12	U-disk
9	905 206 025	10	K-disk	22	900 012 002	4	lock nut
10	905,006,000	10	spring ring	23	see tire list	2	Tires
11	901 008 020	8	hexagon screw without shaft	24	905,010,000	1	spring ring
12	905,108,000	16	U-disk	25	900 012 017	2	ring nut
13	900 008 002	8	lock nut	26	C06666	1	mudguard
				27	000 000 122	1	operating hour meter

2.3 KM – Base housing for Honda engine - C01016 R03



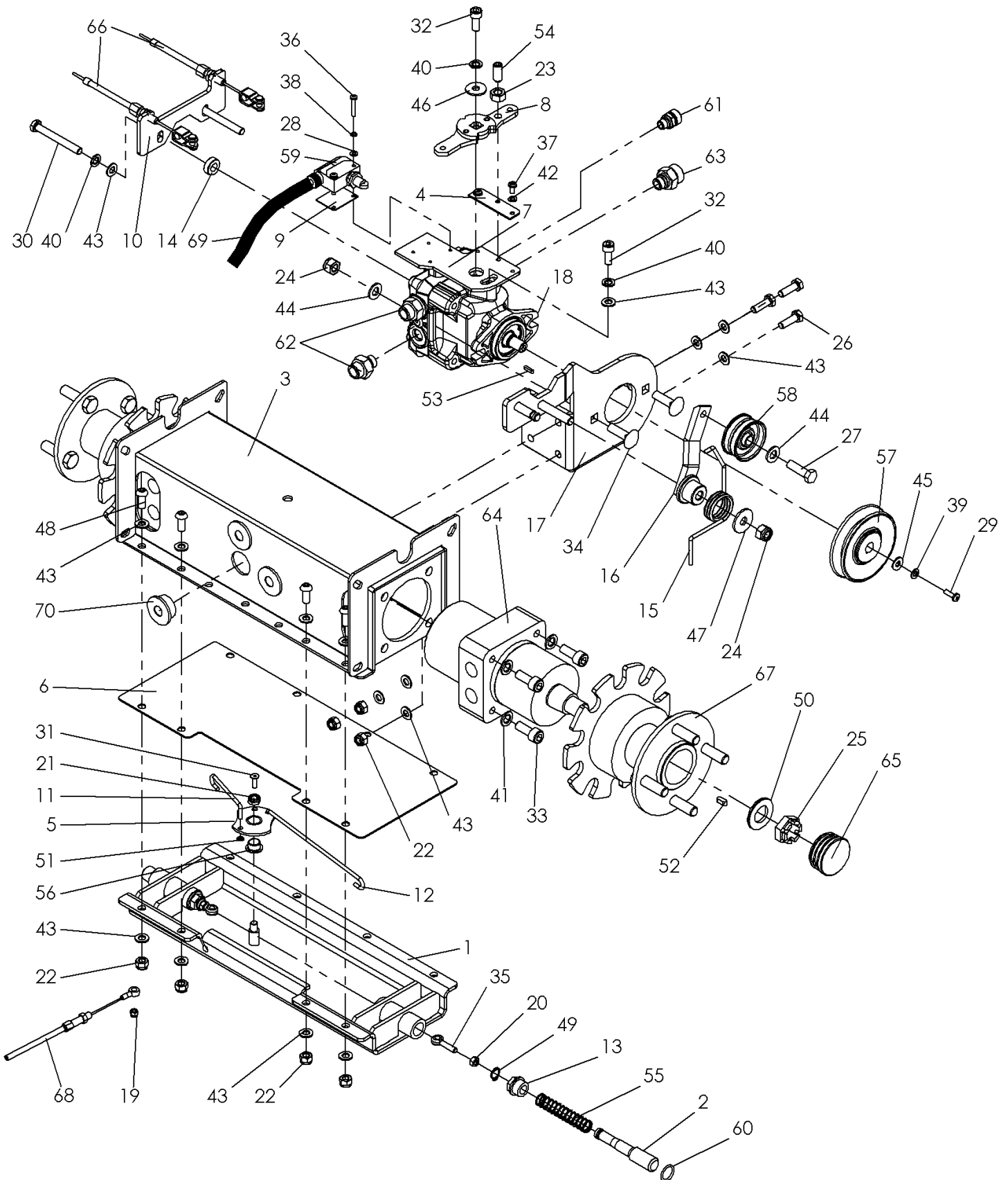
No.	Art.-No.	No.	designation
1	767 100 001	1	base housing
2	705 200 506	1	socket
3	765 001 022	1	V-belt tensioner for auxiliary drive
4	921 313 612	2	tension pulley
5	909 100 162	1	tension spring
6	901 006 025	1	hexagon screw without shaft
7	905,006,000	1	spring ring
8	905,106,000	1	U-disk
9	900 006 001	1	Skt.-Mutter
10	900 006 002	1	lock nut
11	901 010 045	1	hexagon screw without shaft
12	901 010 060	1	hexagon screw without shaft
13	905,110,000	2	U-disk
14	906 210 201	1	shim

2.4 KM – Base housing for B&S engine - C00755 R00



No.	Art.-No.	No.	designation
1	767 100 002	1	base housing
2	705 200 506	1	socket
3	765 001 022	1	V-belt tensioner for auxiliary drive
4	921 313 612	2	tension pulley
5	909 100 162	1	tension spring
6	901 006 025	1	hexagon screw without shaft
7	905,006,000	1	spring ring
8	905,106,000	1	U-disk
9	900 006 001	1	Skt.-Mutter
10	900 006 002	1	lock nut
11	901 010 045	1	hexagon screw without shaft
12	901 010 060	1	hexagon screw without shaft
13	905,110,000	2	U-disk
14	906 210 201	1	shim

2.5 Short drive unit 378 with FSB - C01026 R03

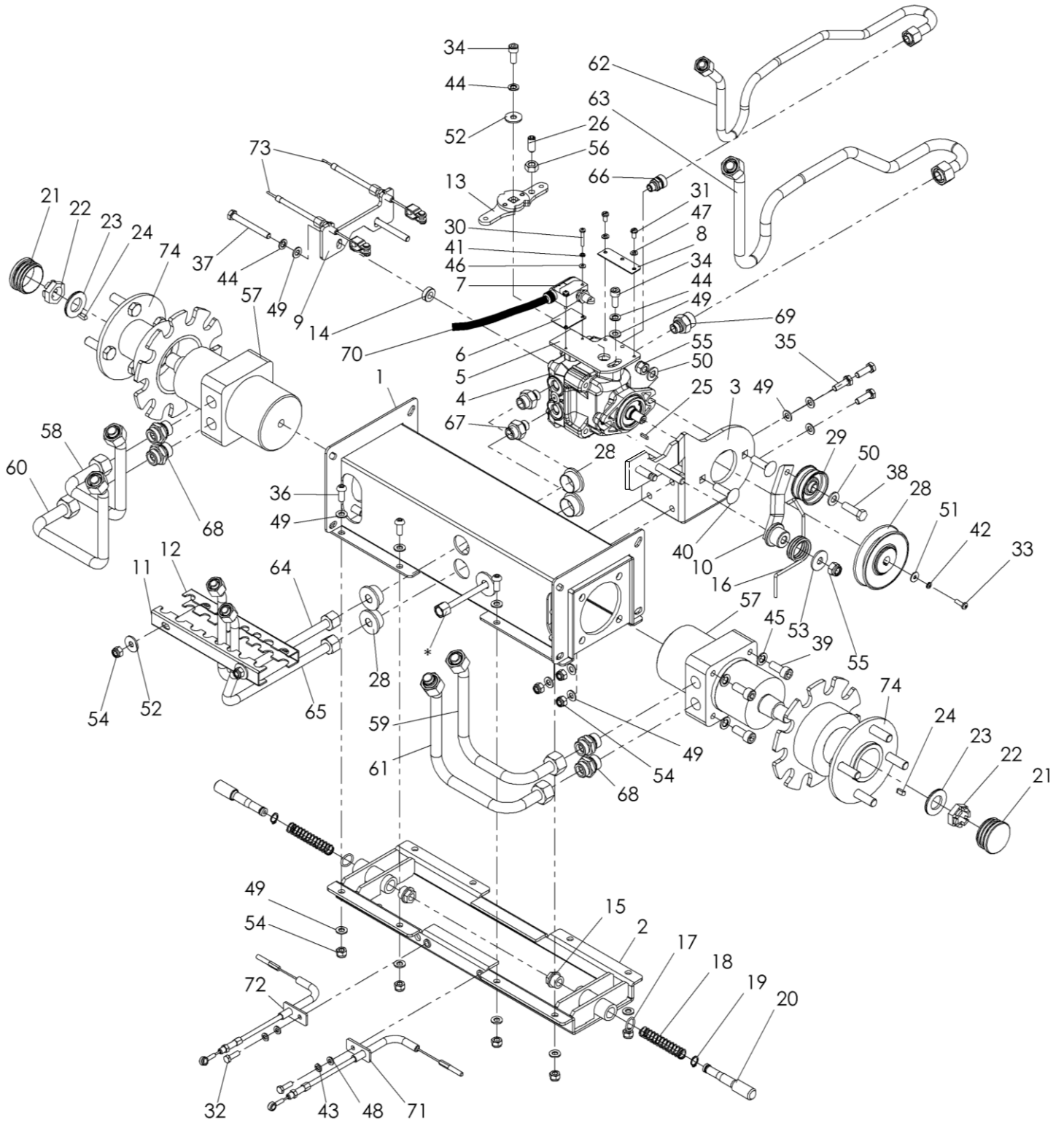


Short drive unit 378 with FSB - C01026 R03

No.	Art.-No.	No.	designation
1	C00324	1	base plate
2	C00403	2	locking pin bolt
3	C00509	1	Axle carrier 378 with FSB
4	C01244	1	wear plate
5	C01861	1	swivel joint for FSB
6	C01966	1	cover plate
7	C02069	1	fixing disc
8	C02072	1	swivel lever with duplication
9	C02212	1	Spacer plate for safety switch
10	C03366	1	Bowden cable holder
11	C03479	1	brake rod short
12	C03480	1	brake linkage long
13	700 000 171	2	screw plug
14	705 205 008	2	spacer bushing
15	767 000 095	1	torsion spring
16	C12519	1	clamping lever complete
17	767 000 041	1	pump holder complete
18	767,000,233	1	axial piston pump 6ccm, left-handed
19	900 005 002	1	lock nut
20	900 006 001	2	Skt.-Mutter
21	900 008 002	1	lock nut, low
22	900 008 002	10	lock nut
23	900 010 001	1	Skt.-Mutter
24	900 010 002	3	lock nut
25	900 020 012	2	castle nut
26	901 008 025	3	hexagon screw without shaft
27	902 738 114	1	inch screw
28	905,104,000	2	U-disk
29	902 758 103	1	flat head screw with Phillips (inch)
30	901 108 070	2	hexagon screw with shaft
31	901 205 016	1	countersunk screw with interior
32	901 808 020	2	cylinder head screw with interior
33	901 810 025	8	cylinder head screw with internal hexagon
34	901 910 035	2	carriage bolt
35	903 106 030	2	eyebolt

No.	Art.-No.	No.	designation
36	903 604 025	2	lens screw with Phillips
37	903 920 510	2	flat head screw with slot
38	905 004 000	2	spring ring
39	905,005,000	1	spring ring
40	905 008 000	4	spring ring
41	905,010,000	8	spring ring
42	905,105,000	2	U-disk
43	905,108,000	23	U-disk
44	905,110,000	3	U-disk
45	905 206 018	1	body glass
46	905 208 025	1	K-disk
47	905,210,000	1	K-disk
48	903 908 021	7	truss-head screw with internal hexagon
49	905 900 111	2	retaining ring outside
50	906 900 001	2	wedge lock washer ben-sentence
51	906 911 004	2	lock washer
52	908 005 514	2	key
53	908 018 014	1	key
54	909 100 010	1	push piece
55	909 100 206	2	compression spring
56	915 014 009	1	plain bearings
57	921 211 218	1	pulley
58	921 313 612	1	tension pulley
59	941 903 002	1	safety switch
60	937 117 020	2	O-ring
61	931 071 271	1	hydraulic screw connection
62	931 071 291	2	hydraulic screw connection
63	931 139 160	1	hydraulic screw connection
64	935 102 315.1	2	hydraulic motor
65	943 400 048	2	Lamellar plugs for wheel hub
66	see operating instructions console	2	Bowden cable
67	see tire list	2	wheel hub
68	C04412	1	Bowden cable parking brake
69	C03604	1	wiring harness
70	943 600 305	5	sealing plug

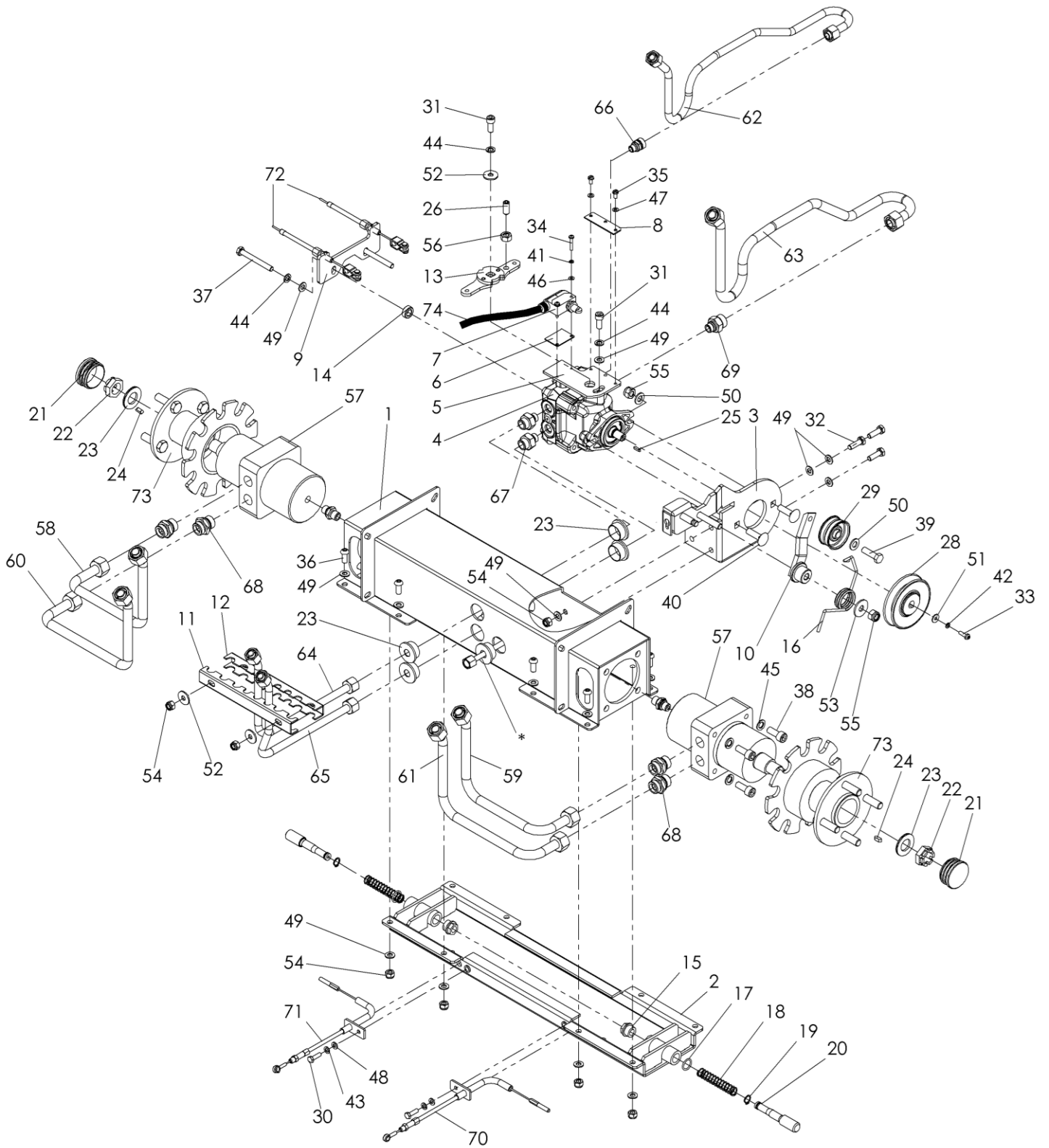
2.6 Short drive unit 445 with FSB - C00572 R03



Short drive unit 445 with FSB - C00572 R03

No.	Art.-No.	No.	designation	No.	Art.-No.	No.	designation
1	767,000,135	1	axle carrier 445 k. A with FSB	36	903 908 021	7	Flat head screw with interior
2	C02500	1	base plate	37	901 008 070	2	hexagon screw with shaft
3	767 000 041	1	pump holder complete	38	902 738 114	1	inch screw
4	767,000,233	1	axial piston pump 6ccm, left-handed	39	901 810 025	8	cylinder head screw with interior
5	C02069	1	fixing disc	40	901 910 035	2	carriage bolt
6	C02212	1	Spacer plate for safety switch	41	905 004 000	2	spring ring
7	941 903 002	1	safety switch	42	905,005,000	1	spring ring
8	C01244	1	wear plate	43	905,006,000	2	spring ring
9	C03366	1	Bowden cable holder	44	905 008 000	4	spring ring
10	C12519	1	clamping lever complete	45	905,010,000	8	spring ring
11	767,000,060	1	cable holder outside	46	905,104,000	2	U-disk
12	767 000 061	1	cable holder inside	47	905,105,000	2	U-disk
13	C02072	1	swivel lever with duplication	48	905,106,000	2	U-disk
14	705 200 507	2	socket	49	905,108,000	23	U-disk
15	700 000 171	2	screw plug	50	905,110,000	3	U-disk
16	767 000 095	1	torsion spring	51	905,205,000	1	K-disk
17	937 117 020	2	O-ring	52	905 208 025	3	K-disk
18	909 100 206	2	compression spring	53	905,210,000	1	K-disk
19	905 900 111	2	retaining ring outside	54	900 008 002	12	lock nut
20	C00403	2	locking pin bolt	55	900 010 002	3	lock nut
21	943 400 048	2	Lamellar plugs for wheel hub	56	900 010 001	1	Skt.-Mutter
22	900 020 012	2	castle nut	57	935 103 400	2	hydraulic motor GFS 400
23	906 900 001	2	wedge lock washer ben-sentence	58	767 000 085	1	hydraulic line on the left top-short
24	908 005 514	2	key	59	767 000 086	1	hydraulic line on the right top - short
25	908 018 014	1	key	60	767,000,087	1	hydraulic line on the left bottom-short
26	909 100 010	1	push piece	61	767 000 088	1	hydraulic line on the right bottom - short
28	943 600 305	5	sealing plug white	62	767 000 089	1	hydraulic line
28	921 211 218	1	pulley	63	767 000 092	1	hydraulic line
29	921 313 612	1	tension pulley	64	767 000 093	1	hydraulic line
30	903 604 025	2	lens screw with Phillips	65	767,000,094	1	hydraulic line
31	903 920 510	2	flat head screw with slot	66	931 071 271	1	hydraulic screw connection
32	901 006 020	2	hexagon screw without shaft	67	931 071 291	2	hydraulic screw connection
33	902 758 103	1	flat head screw with Phillips (inch)	68	931 071 212	4	hydraulic screw connection
34	901 808 020	2	cylinder head screw with interior	69	931 139 160	1	hydraulic screw connection
35	901 008 025	3	hexagon screw without shaft	70	C03604	1	wiring harness
				71	C00136	1	Bowden cable for FSB 445 axle carrier kA right
				72	C00137	1	Bowden cable for FSB 445 axle carrier kA left
				73	s. control console e	2	Bowden cable
				74	see tire list	2	wheel hub
				*	leak oil line		see hydraulic hose set

2.7 Long drive unit 445 with FSB - C00238 R03

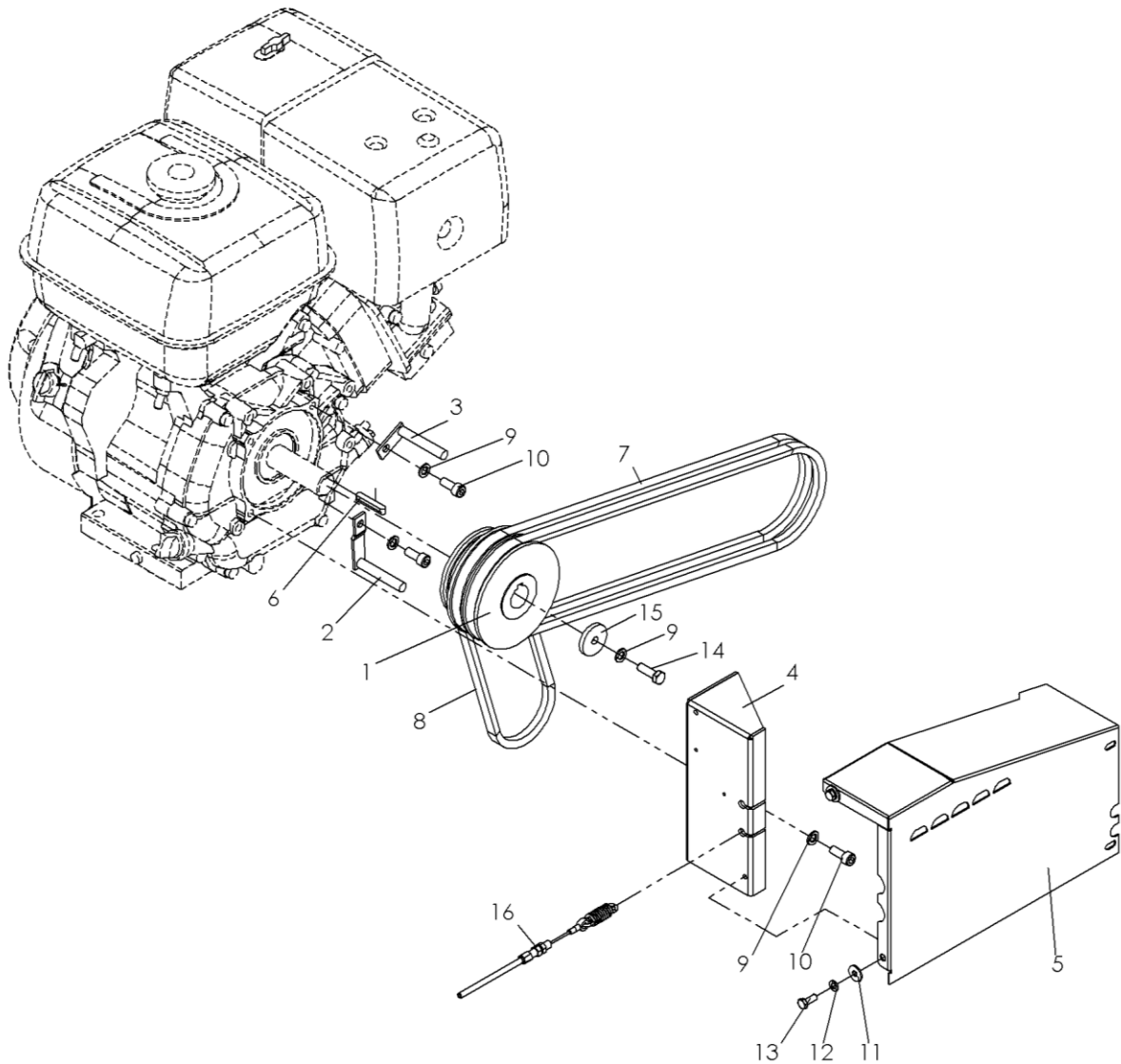


Long drive unit 445 with FSB - C00238 R03

No.	Art.-No.	No.	designation
No.	Art.-No.	No.	designation
1	767,000,125	1	axle carrier 445 iA with FSB
2	C02501	1	base plate
3	767 000 041	1	pump holder complete
4	767,000,233	1	axial piston pump 6ccm, left-handed
5	C02069	1	fixing disc
6	C02212	1	Spacer plate for safety switch
7	941 903 002	1	safety switch
8	C01244	1	wear plate
9	C03366	1	Bowden cable holder
10	C12519	1	clamping lever complete
11	767,000,060	1	cable holder outside
12	767 000 061	1	cable holder inside
13	C02072	1	swivel lever with duplication
14	705 205 008	2	spacer bushing
15	700 000 171	2	screw plug
16	767 000 095	1	torsion spring
17	937 117 020	2	O-ring
18	909 100 206	2	compression spring
19	905 900 111	2	retaining ring outside
20	C00403	2	locking pin bolt
21	943 400 048	2	Lamellar plugs for wheel hub
22	900 020 012	2	castle nut
23	906 900 001	2	wedge lock washer
24	908 005 514	2	key
25	908 018 014	1	key
26	909 100 010	1	push piece
23	943 600 305	5	white sealing plug
28	921 211 218	1	pulley
29	921 313 612	1	tension pulley
30	901 006 020	2	hexagon screw without shaft
31	901 808 020	2	cylinder head screw with interior
32	901 008 025	3	hexagon screw without shaft
33	902 758 103	1	Flat head screw with Phillips (inch)
34	903 604 025	2	lens screw with Phillips
35	903 920 510	2	Flat head screw with slot
36	903 908 021	8	truss-head screw with internal hexagon
37	901 008 070	2	hexagon screw with shaft

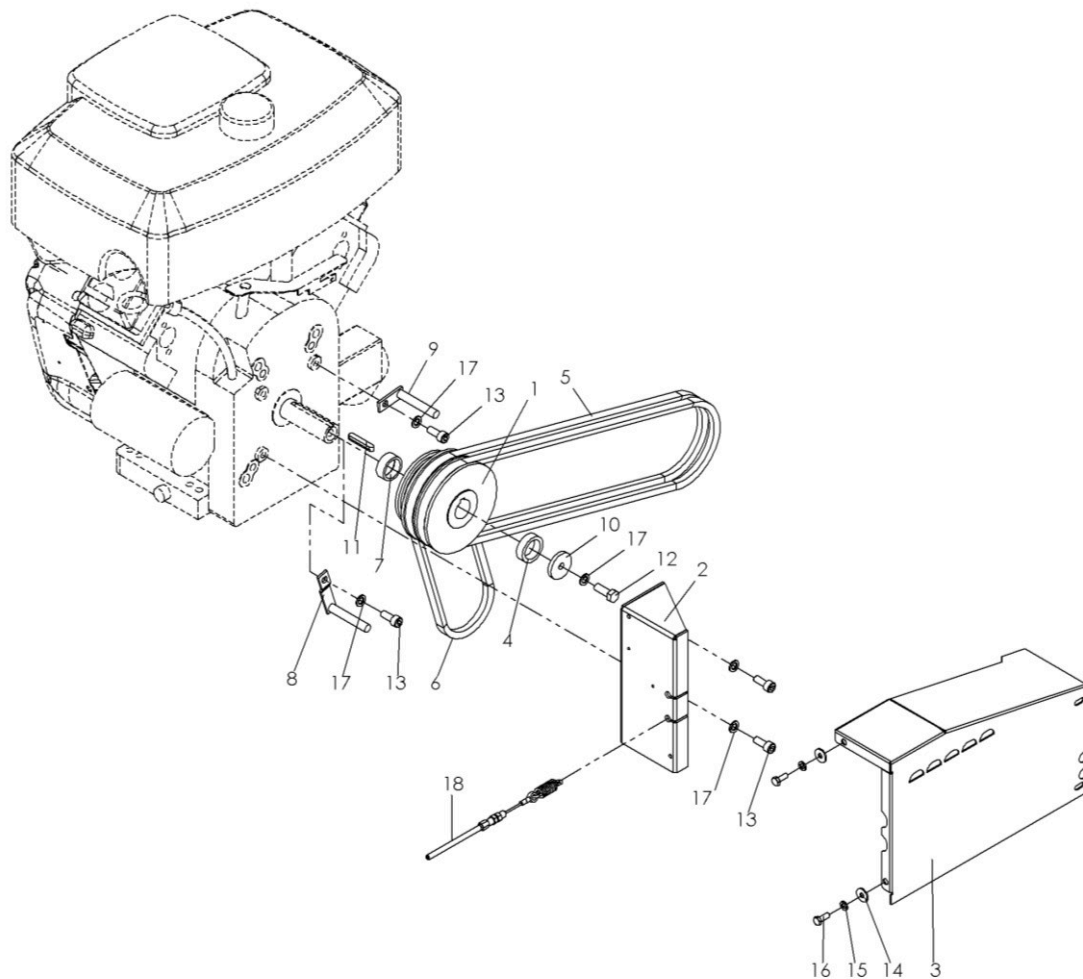
No.	Art.-No.	No.	designation
38	901 810 025	8	cylinder head screw with interior
39	902 738 114	1	inch screw
40	901 910 035	2	carriage bolt
41	905 004 000	2	spring ring
42	905,005,000	1	spring ring
43	905,006,000	2	spring ring
44	905 008 000	4	spring ring
45	905,010,000	8	spring ring
46	905,104,000	2	U-disk
47	905,105,000	2	U-disk
48	905,106,000	2	U-disk
49	905,108,000	25	U-disk
50	905,110,000	3	U-disk
51	905,205,000	1	K-disk
52	905 208 025	3	K-disk
53	905,210,000	1	K-disk
54	900 008 002	13	lock nut
55	900 010 002	3	lock nut
56	900 010 001	1	Skt.-Mutter
57	935 103 400	2	hydraulic motor GFS 400
58	767 000 081	1	hydraulic line on the left top -long
59	767 000 082	1	hydraulic line right top-long
60	767 000 083	1	hydraulic line on the left bottom-long
61	767,000,084	1	hydraulic line bottom right-long
62	767 000 089	1	hydraulic line
63	767 000 092	1	hydraulic line
64	767 000 093	1	hydraulic line
65	767,000,094	1	hydraulic line
66	931 071 271	1	hydraulic screw connection
67	931 071 291	2	hydraulic screw connection
68	931 071 512	4	hydraulic screw connection
69	931 139 160	1	hydraulic screw connection
70	C00134	1	Bowden cable for FSB 445 axle carrier IA right
71	C00135	1	Bowden cable for FSB 445 axle carrier IA left
72	see operating instructions console	2	Bowden cable
73	see operating instructions console	2	wheel hub
74	C03604	1	wiring harness
*	leak oil line	1	see hydraulic hose set

2.8 Drivetrain for KM with Honda Engine - C01391 R03



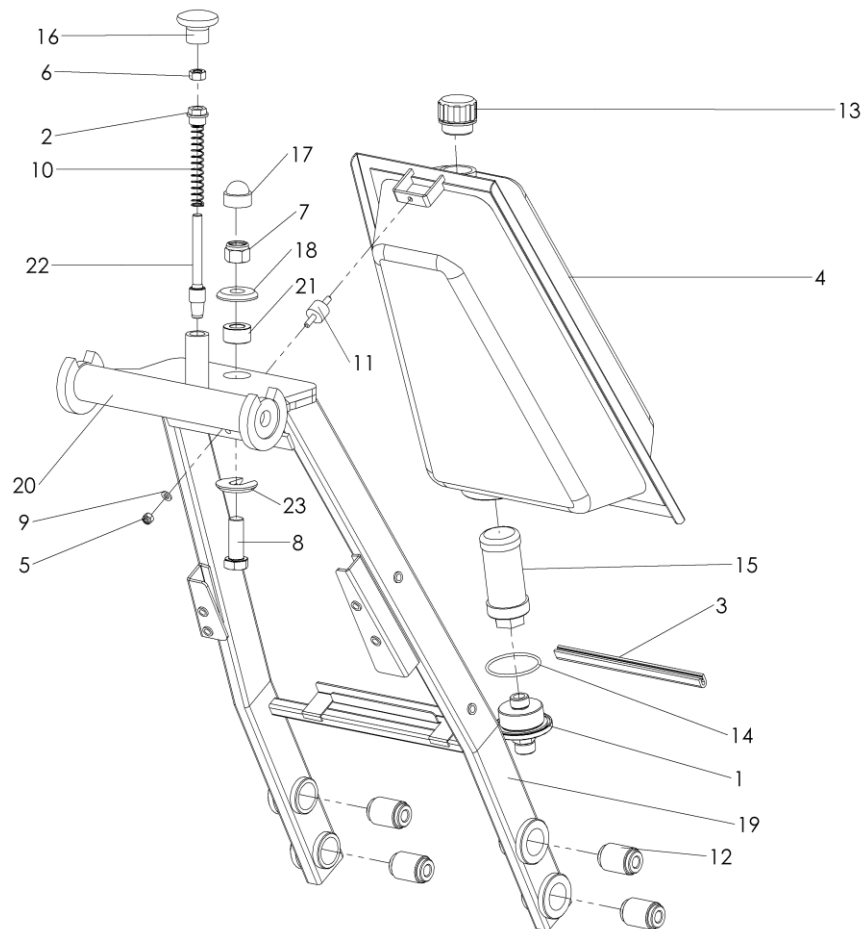
No.	Art.-No.	No.	designation
1	C11778	1	SPB pulley
2	765,000,300	1	Belt spacer 2 complete
3	765 000 301	1	Belt spacer complete
4	767,000,241	1	holder for belt guard on the engine
5	767 000 063	1	belt guard engine
6	908 007 630	1	key
7	921 106 847	2	V-belt
8	921 131 857	1	V-belt
9	905 008 000	5	spring ring
10	901 808 020	4	Cylinder head screw with hexagon socket
11	905 206 018	2	K-disk
12	905,006,000	2	spring ring
13	901 006 016	2	hexagon screw without shaft
14	901 008 025	1	hexagon screw without shaft
15	C00014	1	K-disk
16	see control console	1	Bowden cable

2.9 Drivetrain for KM with B&S engine - C01249 R03



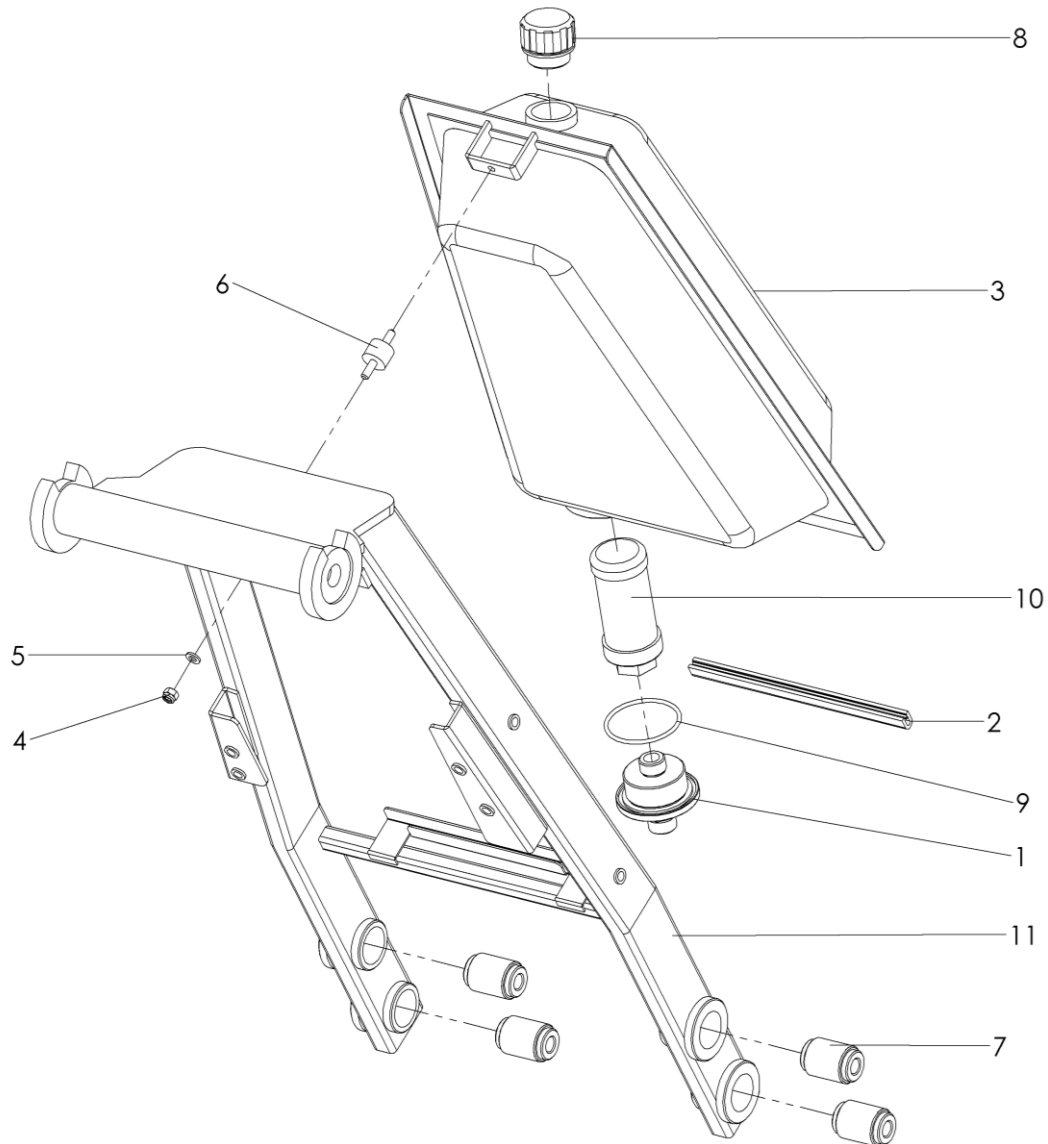
No.	Art.-No.	No.	designation
1	C11778	1	SPB pulley
2	767,000,241	1	holder for belt guard on the engine
3	767 000 063	1	belt protection motor
4	705 355 010	1	socket
5	921 106 847	2	V-belt
6	921 131 857	1	V-belt
7	C12123	1	spacer sleeve
8	765,000,300	1	strap holder 2
9	765 000 301	1	Belt spacer complete
10	C00014	1	K-disk
11	908 007 630	1	key
12	902 738 100	1	inch screw
13	902 751 634	4	Inch screw with hexagon socket
14	905 206 018	2	K-disk
15	905,006,000	2	spring ring
16	901 006 016	2	hexagon screw without shaft
17	905 008 000	5	spring ring
18	see control console	1	Bowden cable

2.10 Guide bar, swivel bracket with tank - C01267 R00



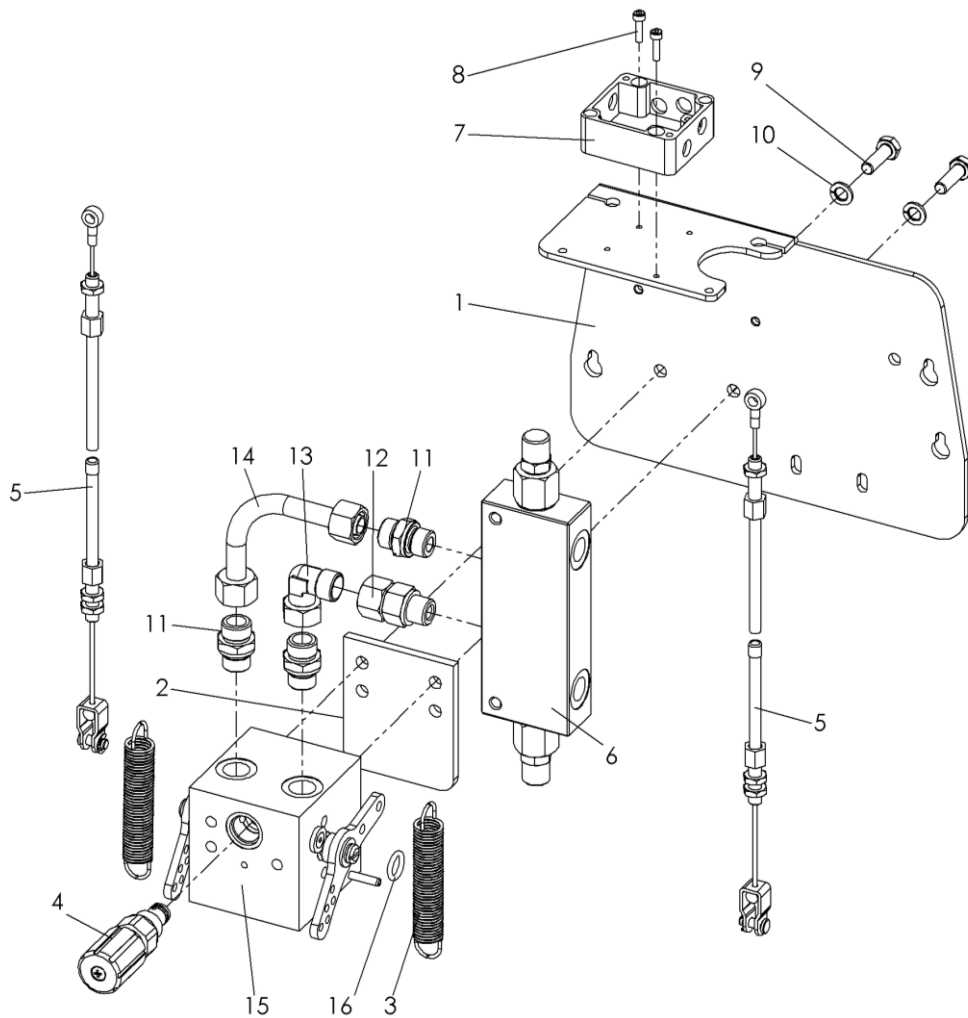
No.	Art.-No.	No.	designation
1	110 000 135	1	filter carrier in the tank
2	700 000 171	1	screw plug
3	767,000,147	1	edge protection for tank
4	771,000,001	1	tank with 1 filter element
5	900 006 002	1	lock nut
6	900 010 001	1	Skt.-Mutter
7	900 016 024	1	Skt.-Mutter
8	901 124 016	1	hexagon screw
9	905,106,000	1	U-disk
10	909 100 189	1	compression spring
11	911 006 015	1	rubber-metal buffers
12	911 301 244	4	vibration element
13	931 200 042	1	vent screw
14	937 158 003	1	O-ring
15	937 200 030	1	Microfilter for axial piston pump
16	941 267 710	1	mushroom handle
17	943 559 016	1	cover cap
18	C00863	1	cover plate
19	C00873	1	handlebar
20	C00875	1	swivel bracket
21	C01252	1	centering bushing
22	C01266	1	locking pin with cone
23	C01283	1	cover plate slotted

2.11 Guide bar, without swivel bracket with tank - C01268 R00



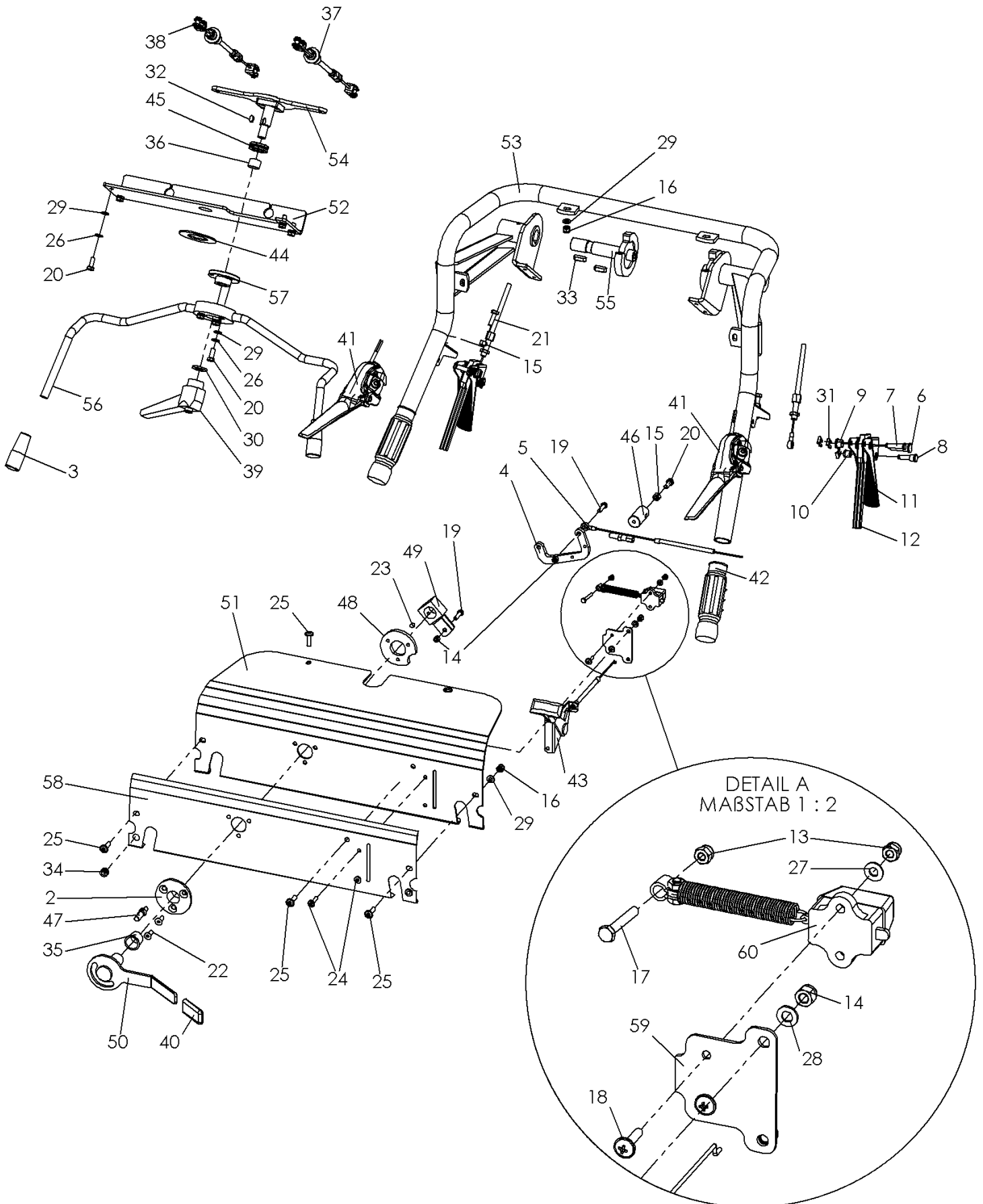
No.	Art.-No.	No.	designation
1	110 000 135	1	filter carrier in the tank
2	767,000,147	1	edge protection for tank
3	771,000,001	1	large tank +1 filter element
4	900 006 002	1	lock nut
5	905,106,000	1	U-disk
6	911 006 015	1	rubber-metal buffers
7	911 301 244	4	vibration element
8	931 200 042	1	vent screw
9	937 158 003	1	O-ring
10	937 200 030	1	Microfilter for axial piston pump
11	C01256	1	handlebar

2.12 Hydraulic control - C00589 R03



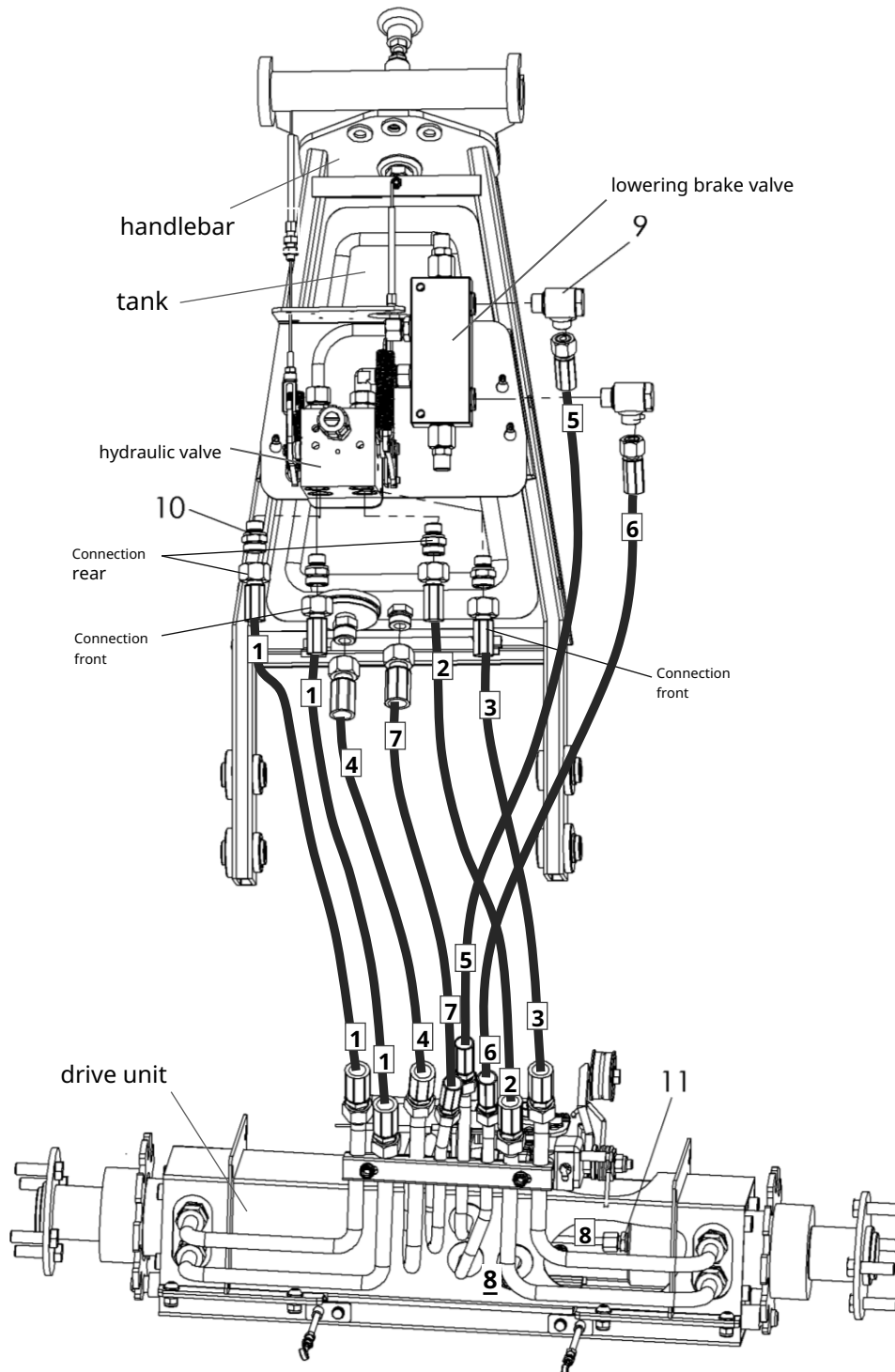
No.	Art.-No.	No.	designation
1	770,000,040	1	mounting plate hydro valve
2	767,000,030	1	reinforcement plate
3	909 200 021	2	tension spring
4	936 203 006	1	standard cartridge
5	941 765 001	2	Bowden cable hydraulic steering
6	936 612 563	1	lowering brake valve
7	C03940	1	wiring box
8	901 804 016	2	cylinder head screw with hexagon socket
9	901 008 025	2	hexagon screw without shaft
10	905 008 000	2	spring ring
11	931 071 238	3	hydraulic screw connection
12	931 031 238	1	hydraulic screw connection
13	931 061 200	1	hydraulic screw connection
14	767,000,080	1	hydraulic line
15	M00100	1	hydraulic block complete pre-assembled assembly
16	937 125 031	2	gasket kit for 18-piston

2.13 Control console - C01388 R02



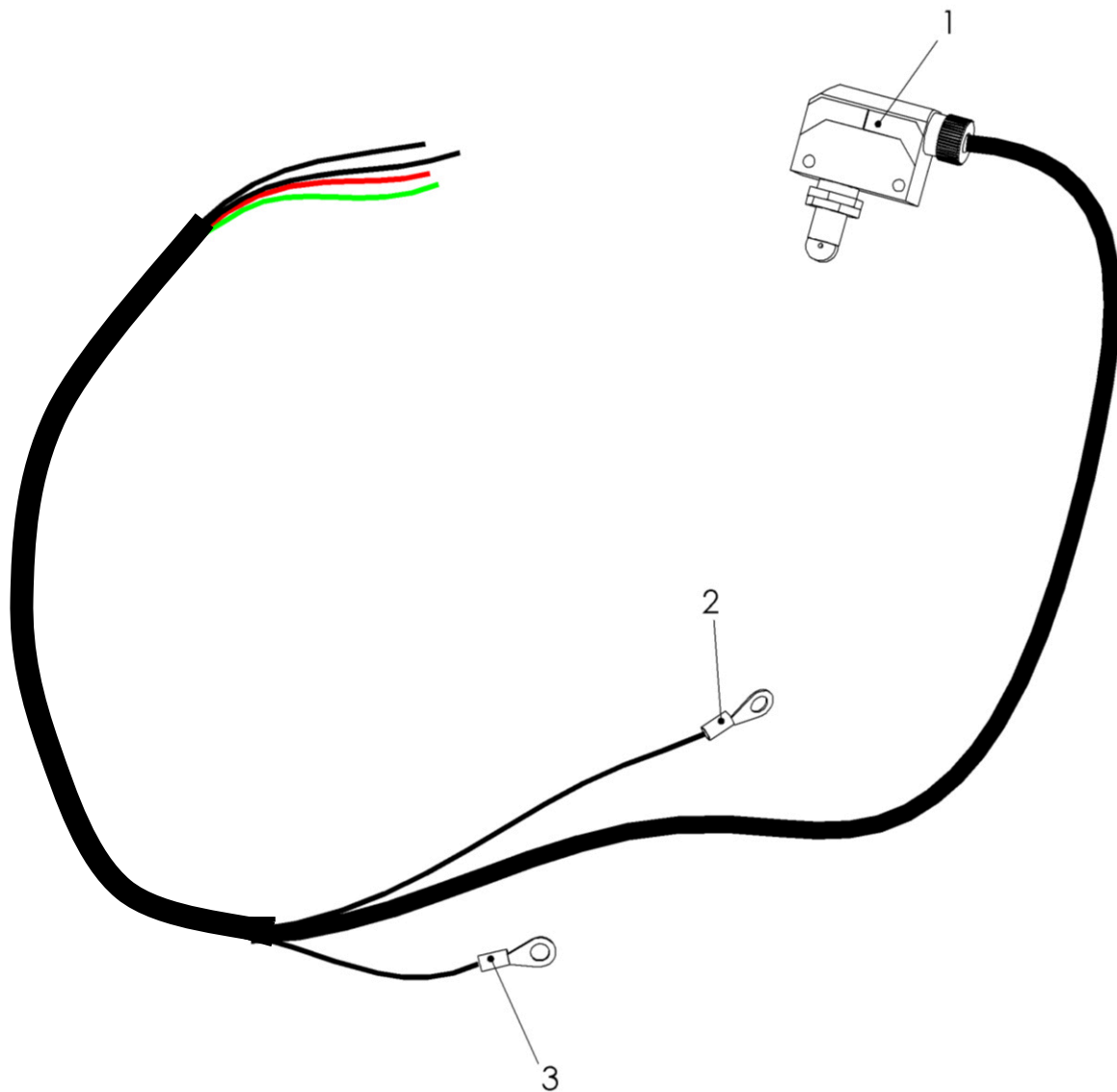
No.	Art.-No.	No.	designation
1	014 005 205	2	driver for steering lever
2	767,000,004	1	rosette
3	767,000,020	2	rubber cap
4	C00054	1	bell crank
5	C03603	1	Bowden cable
6	767,000,096	2	bolt D10x35.7
7	767,000,097	2	bolt D6.8x32
8	767,000,098	2	bolt D6.4x31.7
9	767,000,099	2	Guide sleeve 9.9 outside 6.5 inside
10	767,000,100	2	Guide sleeve 11.9 outside 10 inside
11	767,000,120	2	Double steering lever (external)
12	770,000,010	2	steering lever inside
13	900 004 002	3	lock nut
14	900 005 002	4	lock nut
15	900 006 001	3	Skt.-Mutter
16	900 006 002	4	lock nut
17	901 004 025	1	hexagon screw without shaft
18	903 604 016	2	Phillips pan head screw
19	901 005 020	2	hexagon screw
20	901 006 016	8	hexagon screw without shaft
21	901 006 020	2	hexagon screw
22	901 206 016	2	countersunk screw with hexagon socket
23	902 306 008	1	grub screw
24	903 905 020	2	Lens head screw with hexagon socket
25	903 906 020	5	Lens head screw with hexagon socket
26	905,006,000	7	spring ring
27	905,104,000	2	U-disk
28	905,105,000	2	U-disk
29	905,106,000	11	U-disk
30	905,112,000	1	U-disk
31	906 910 006	6	splint
32	908 005 510	1	key
33	908 006 620	2	key
34	908 706 646	2	cable grommet double-sided
35	915 021 020	1	plain bearings
36	915 161 812	1	plain bearings
37	941 050 164	1	Bowden cable drive short
38	941 050 165	1	Bowden cable drive long
39	941 200 012	1	clamping lever
40	941 900 050	1	diving cap
41	941 902 003	2	dead man's lever
42	941 908 015	2	handle
43	941 920 108	1	LGS throttle lever complete
44	950 767 001	1	brake disc
45	8751103	1	camp
46	C00055	1	Bowden cable holder
47	C00057	1	stop bolt for auxiliary drive lever
48	C00058	1	screwing plate for rosette
49	C00494	1	swivel arm
50	C00495	1	auxiliary drive lever
51	C00857	1	control console
52	C00858	1	mounting plate for swivel joint
53	C01233	1	handrail
54	C01236	1	swivel lever
55	C01237	1	guide shaft with toothed disc
56	C03135	1	rocker with adjustable swivel joint
57	C03134	1	Adjustable swivel joint
58	C01259	1	control panel stickers
59	C01413	1	brake light switch mounting plate
60	941 102 765	1	brake light switch compl.

2.14 Hydraulic hose set RCH - C01619 R01



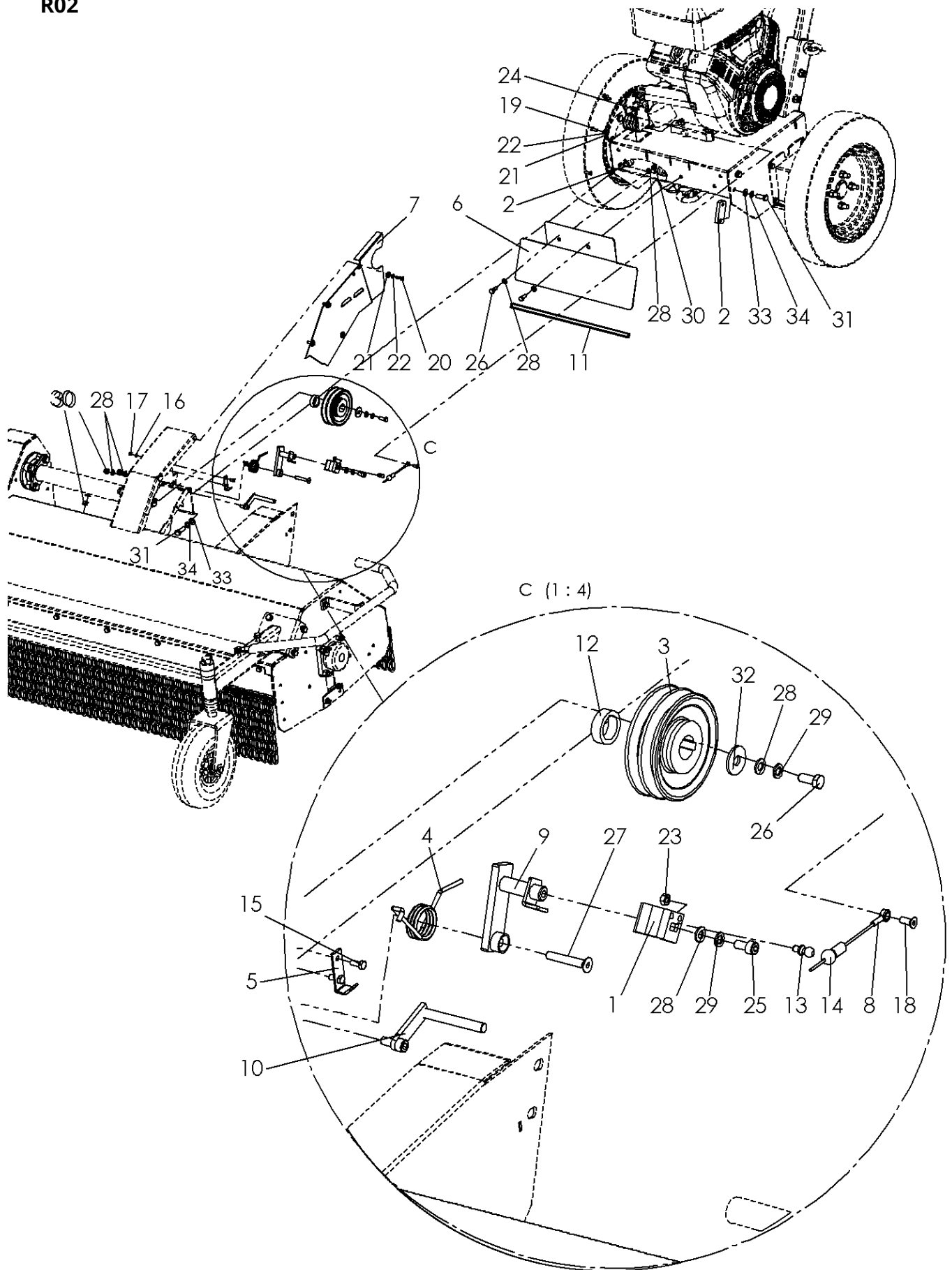
No.	Art.-No.	No.	designation	
1	930 767 047	2	hydraulic hose	hose set: 9 hoses: 930 767 899
2	930 767 048	1	hydraulic hose	
3	930 767 049	1	hydraulic hose	
4	930 767 050	1	hydraulic hose	
5	930 767 051	1	hydraulic hose	
6	930 767 052	1	hydraulic hose	
7	930 767 053	1	hydraulic hose	
8	930 718 024	1	leak oil line	
9	931 171 038	2	hydraulic screw connection	
10	931 071 538	4	hydraulic screw connection	
11	931 070 814	2	hydraulic screw connection	

2.15 Wiring harness for RoughCutter Hydro - C03604 R00



No.	Art.-No.	No.	designation
1	941 903 002	1	safety switch
2	961 071 104	1	ring eye isolated
3	961 071 106	1	ring eye isolated

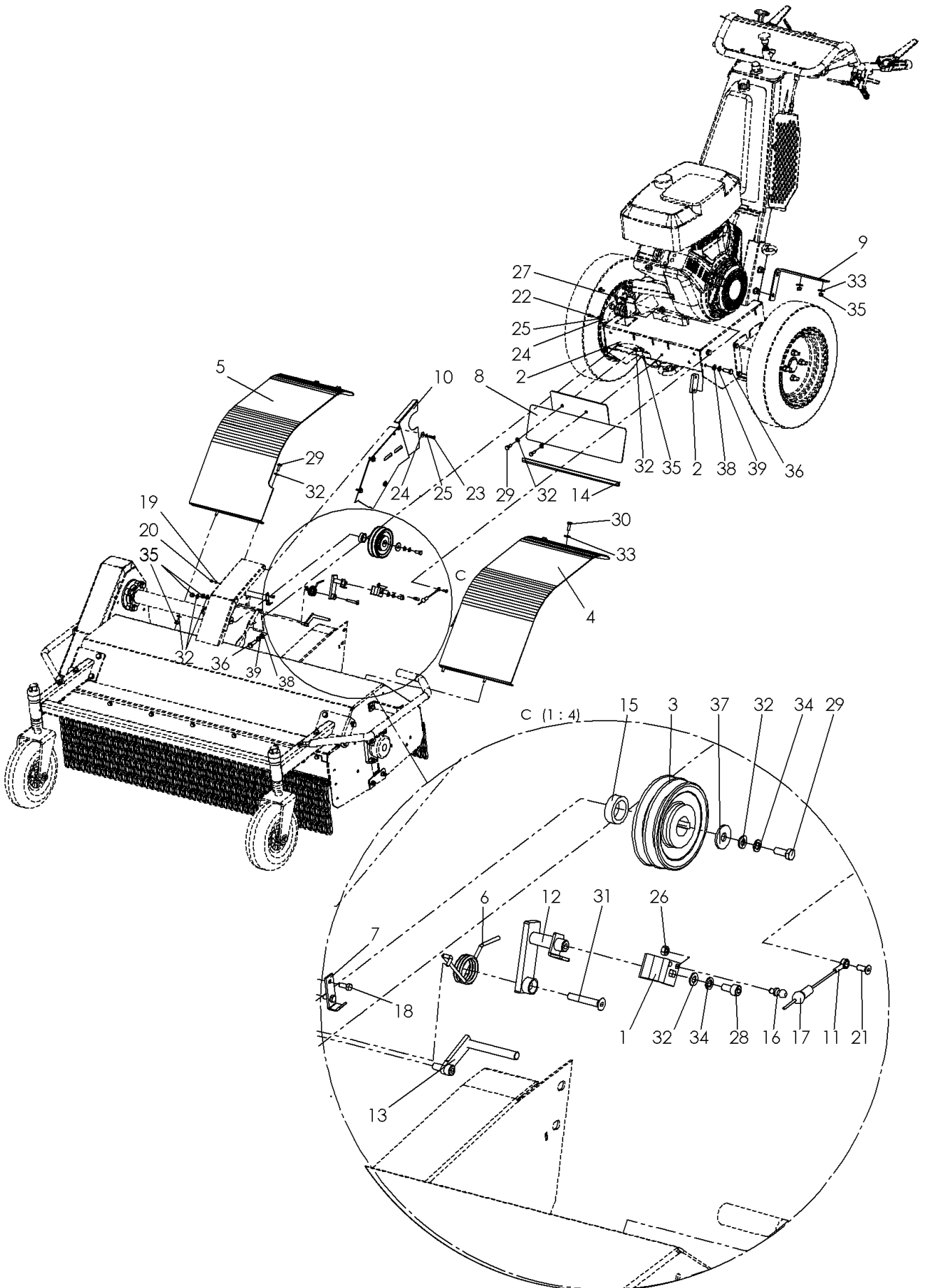
2.16 Assembly of two-wheel tractor and flail mower 65AB/80AB C01505
R02



Assembly of two-wheel tractor and flail mower 65AB / 80AB - C01505 R02

No.	Art.-No.	No.	designation
1	765 000 021	1	brake pad
2	767,000,028	4	retaining plate
3	765 000 031	1	pulley
4	765 000 038	1	tension spring trailing brake
5	765 000 039	1	support bracket for tension spring
6	765 000 048	1	dust cover
7	765 000 047	1	side cover
8	765,000,220	1	eyelet with steel cable
9	765 001 019	1	brake lever
10	702 000 037	1	V-belt retainer long
11	950 040 336	1	edge protection (sold by the meter)
12	705 350 511	1	socket
13	907 701 268	1	ball stud
14	907 702 268	1	ball socket A10/M6
15	901 005 012	2	hexagon screw without shaft
16	905,105,000	2	U-disk
17	900 005 002	2	lock nut
18	901 206 016	1	countersunk screw with hexagon socket
19	901 006 016	3	hexagon screw without shaft
20	901 006 020	4	hexagon screw without shaft
21	905,006,000	7	spring ring
22	905 206 025	7	K-disk
23	900 006 001	1	Skt.-Mutter
24	900 006 002	1	lock nut
25	901 808 016	1	Cylinder head screw with hexagon socket
26	901 008 020	3	hexagon screw without shaft
27	901 208 050	1	countersunk screw with hexagon socket
28	905,108,000	12	U-disk
29	905 008 000	2	spring ring
30	900 008 002	8	lock nut
31	901 010 030	8	hexagon screw without shaft
32	905,210,000	1	K-disk
33	905,110,000	8	U-disk
34	905,010,000	8	spring ring

2.17 Assembly of two-wheel tractor and flail mower 100AB-C01506 R02



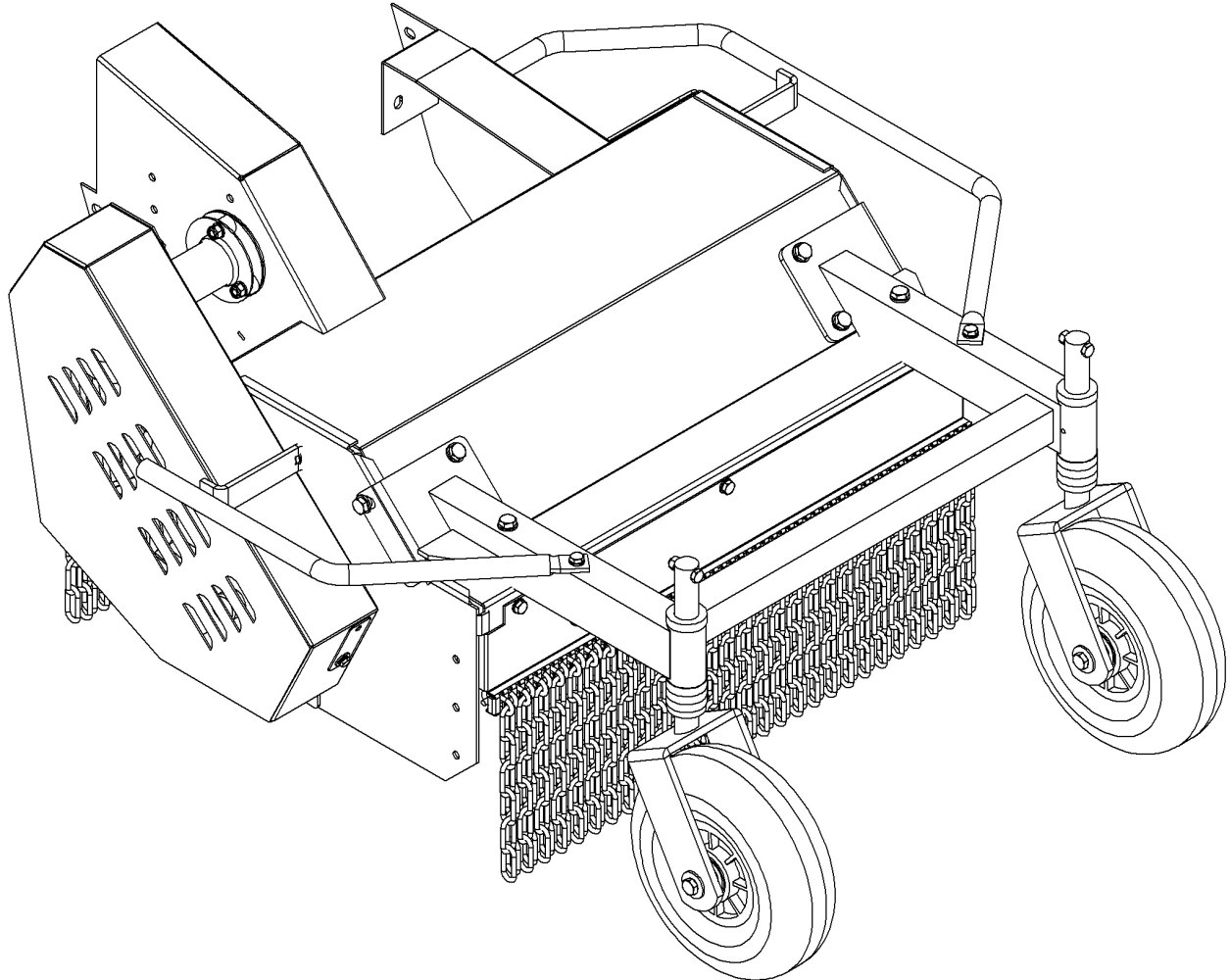
Assembly of two-wheel tractor and flail mower 100AB-C01506 R02

No.	Art.-No.	No.	designation
1	765 000 021	1	brake pad
2	767,000,028	4	retaining plate
3	765 000 031	1	pulley
4	765 000 034	1	fender left, narrow
5	765,000,035	1	fender right, narrow
6	765 000 038	1	tension spring trailing brake
7	765 000 039	1	support bracket for tension spring
8	765,000,040	1	dust cover
9	765 000 045	2	fender bracket
10	765 000 047	1	side cover
11	765,000,220	1	eyelet with steel cable
12	765 001 019	1	brake lever
13	702 000 037	1	V-belt retainer long
14	950 040 336	1	edge protection (sold by the meter)
15	705 350 511	1	socket
16	907 701 268	1	ball stud
17	907 702 268	1	ball socket A10/M6
18	901 005 012	2	hexagon screw without shaft
19	905,105,000	2	U-disk
20	900 005 002	2	lock nut
21	901 206 016	1	countersunk screw with hexagon socket
22	901 006 016	3	hexagon screw without shaft
23	901 006 020	4	hexagon screw without shaft
24	905 206 025	7	K-disk
25	905,006,000	7	spring ring
26	900 006 001	1	Skt.-Mutter
27	900 006 002	1	lock nut
28	901 808 016	1	Cylinder head screw with hexagon socket
29	901 008 020	7	hexagon screw without shaft
30	901 008 025	4	hexagon screw without shaft
31	901 208 050	1	countersunk screw with hexagon socket
32	905,108,000	16	U-disk
33	905 208 025	8	K-disk
34	905 008 000	2	spring ring
35	900 008 002	12	lock nut
36	901 010 030	8	hexagon screw without shaft
37	C00014	1	K-disk
38	905,110,000	8	U-disk
39	905,010,000	8	spring ring

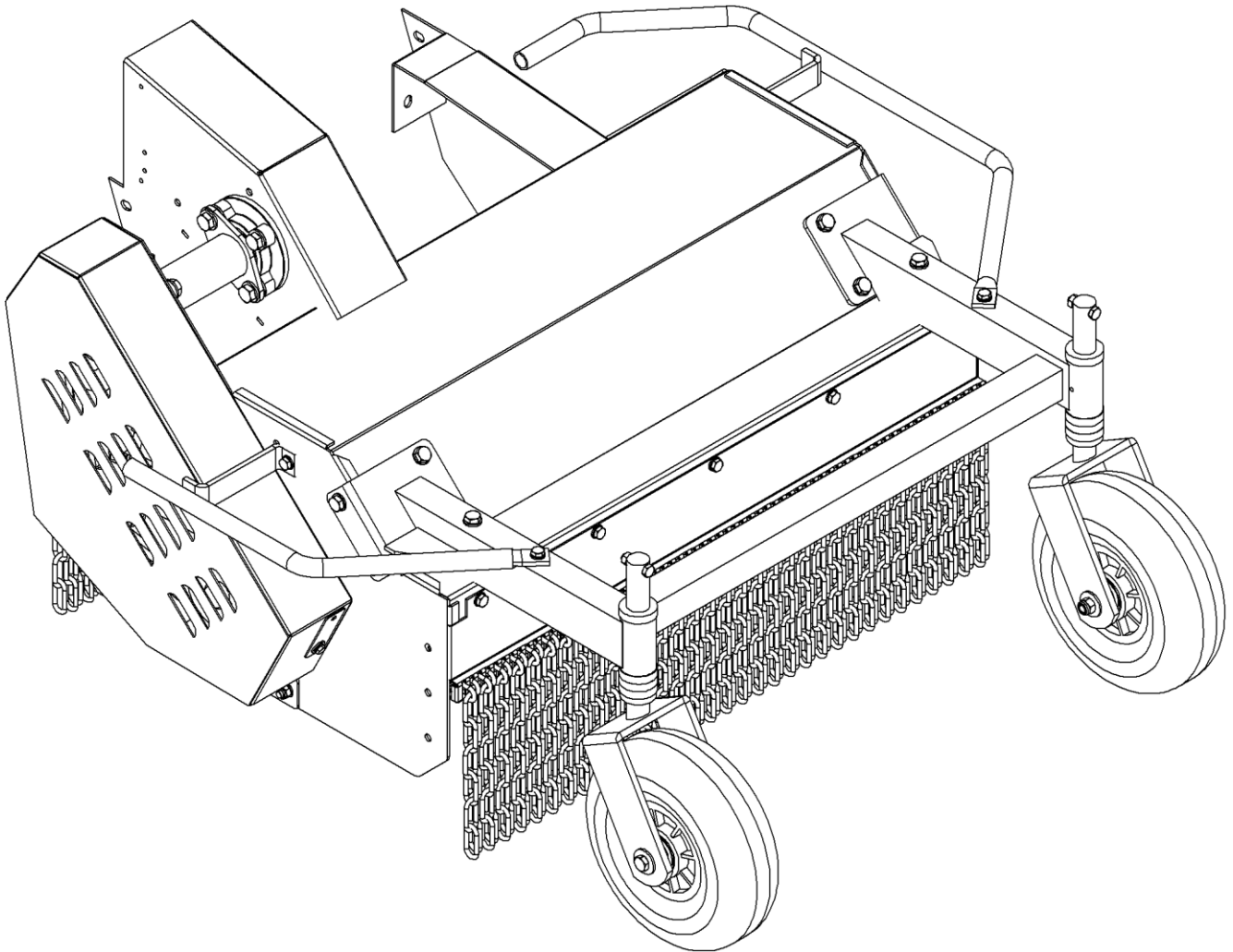
2.18 Assembly of two-wheel tractor and flail mower 120AB-C00283 R02

No.	Art.-No.	No.	designation
1	765 000 021	1	brake pad
2	767,000,028	4	retaining plate
3	765 000 031	1	pulley
4	765,000,036	1	left fender - wide
5	765 000 037	1	fender
6	765 000 038	1	tension spring trailing brake
7	765 000 039	1	support bracket for tension spring
8	765,000,040	1	dust cover
9	765 000 045	2	fender bracket
10	765 000 047	1	side cover
11	765,000,220	1	eyelet with steel cable
12	765 001 019	1	brake lever
13	702 000 037	1	V-belt retainer long
14	950 040 336	1	edge protection (sold by the meter)
15	705 350 511	1	socket
16	907 701 268	1	ball stud
17	907 702 268	1	ball socket A10/M6
18	901 005 012	2	hexagon screw without shaft
19	905,105,000	2	U-disk
20	900 005 002	2	lock nut
21	901 206 016	1	countersunk screw with hexagon socket
22	901 006 016	3	hexagon screw without shaft
23	901 006 020	4	hexagon screw without shaft
24	905 206 025	7	K-disk
25	905,006,000	7	spring ring
26	900 006 001	1	Skt.-Mutter
27	900 006 002	1	lock nut
28	901 808 016	1	Cylinder head screw with hexagon socket
29	901 008 020	7	hexagon screw without shaft
30	901 008 025	4	hexagon screw without shaft
31	901 208 050	1	countersunk screw with hexagon socket
32	905,108,000	16	U-disk
33	905 208 025	8	K-disk
34	905 008 000	2	spring ring
35	900 008 002	12	lock nut
36	901 010 030	8	hexagon screw without shaft
37	905,210,000	1	K-disk
38	905,110,000	8	U-disk
39	905,010,000	8	spring ring

2.19 Flail mower 65 AB - C01227 R02



No.	Art.-No.	No.	designation
1	C01417 R00	1	flail shaft 65 AB
2	C01218 R00	1	wheel holder 65 AB
3	C01219 R00	1	front chain guard 65 AB
4	C01220 R00	1	rear chain guard 65 AB
5	C01245 R02	1	Flail mower 65 AB - Assembly

2.20 Flail mower 80 AB - C01228 R02

No.	Art.-No.	No.	designation
1	C01241 R00	1	flail shaft 80 AB
2	C01137 R00	1	wheel holder 80 AB
3	C01138 R00	1	front chain guard 80 AB
4	C01139 R00	1	rear chain guard 80 AB
5	C01246 R02	1	Flail mower 80 AB - Assembly

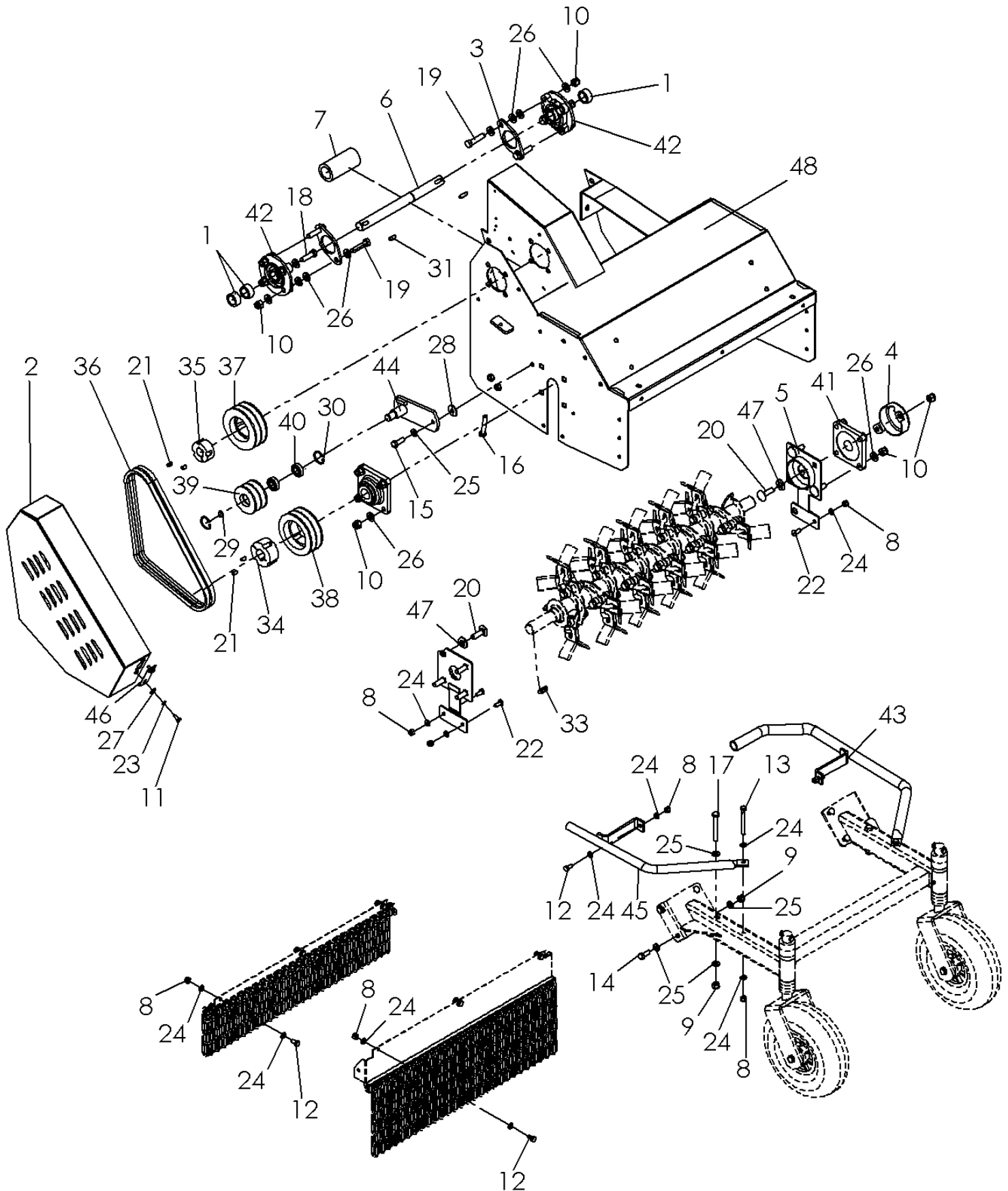
2.21 Flail mower 100 AB - C01229 R02

No.	Art.-No.	No.	designation
1	C01242 R00	1	flail shaft 100 AB
2	C01231 R00	1	wheel holder 100 AB
3	C01153 R00	1	front chain guard 100 AB
4	C01154 R00	1	rear chain guard 100 AB
5	C01247 R02	1	Flail mower 100 AB - Assembly

2.22 Flail mower 120 AB - C01230 R01

No.	Art.-No.	No.	designation
1	C01243 R00	1	flail shaft 120 AB
2	C01151 R00	1	wheel holder 120 AB
3	C01148 R00	1	front chain guard 120 AB
4	C01149 R00	1	rear chain guard 120 AB
5	C01248 R02	1	Flail mower 120 AB - Assembly

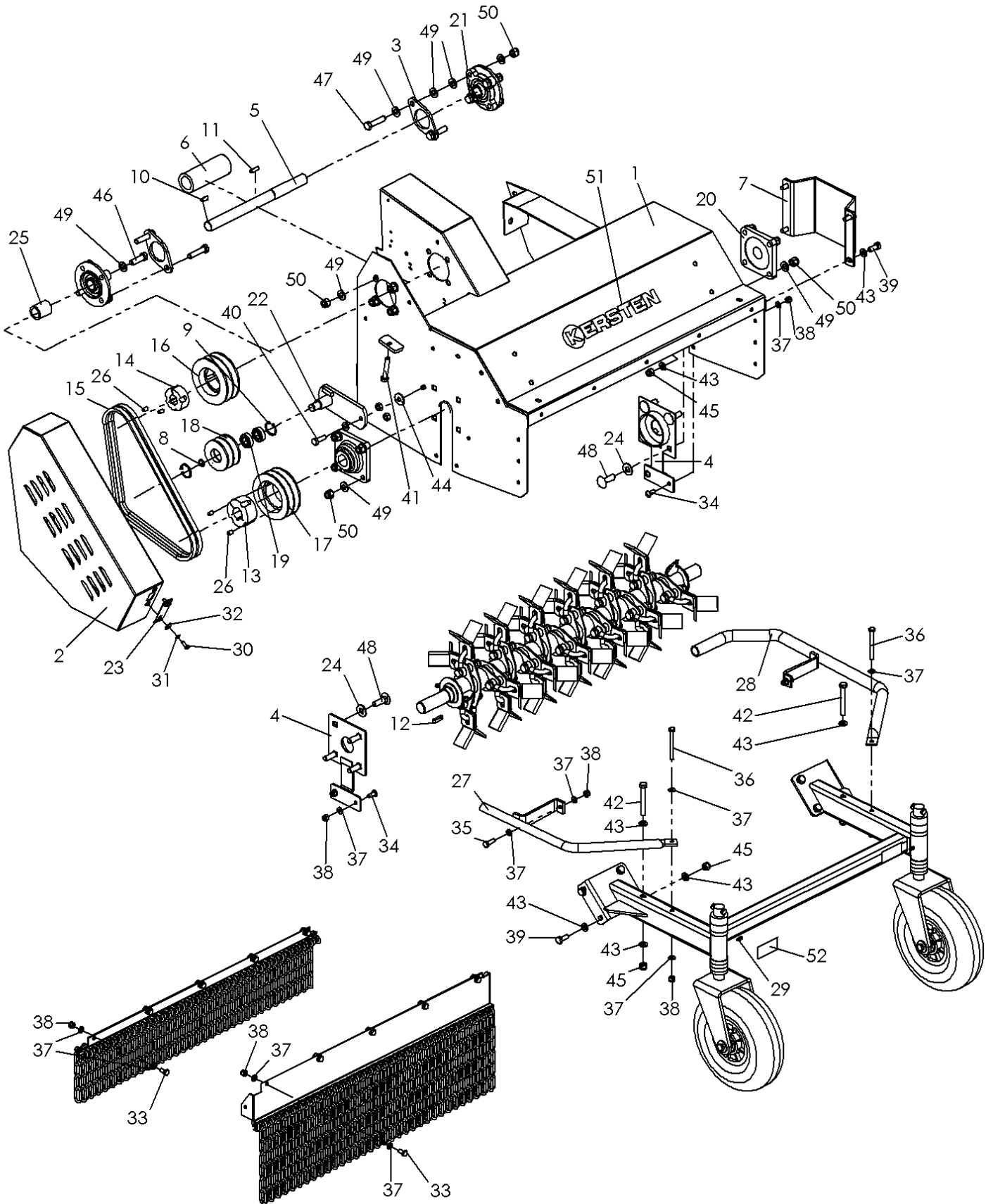
2.23 Flail mower 65 AB - Assembly - C01245 R02



Flail mower 65 AB - Assembly - C01245 R01

No.	Art.-No.	No.	designation
1	705 355 016	3	bushing 35 x 5 - 16lg
2	765 000 015	1	V-belt guard
3	765 000 041	2	holder for intermediate shaft
4	765,000,046	1	bearing cap
5	765 065 190	2	wrap protection
6	765 065 013	1	intermediate shaft
7	765 065 014	1	wave protection
8	900 008 002	14	lock nut
9	900 010 002	11	lock nut
10	900 012 002	16	lock nut
11	901 006 016	2	hexagon screw without shaft
12	901 008 016	8	hexagon screw without shaft
13	901 008 080	2	hexagon screw without shaft
14	901 010 025	7	hexagon screw without shaft
15	901 010 030	2	hexagon screw without shaft
16	901 110 060	1	hexagon screw with shaft
17	901 010 080	2	hexagon screw without shaft
18	901 012 040	4	hexagon screw without shaft
19	901 012 050	4	hexagon screw without shaft
20	901 912 040	8	carriage bolt
21	902 308 016	4	grub screw
22	903 608 020	4	slotted round-head screw
23	905,006,000	2	spring ring
24	905,108,000	24	U-disk
25	905,110,000	22	U-disk
26	905,112,000	32	U-disk
27	905 206 025	2	K-disk
28	905,210,000	1	K-disk
29	905,915,000	1	retaining ring outside
30	906,035,000	2	retaining ring inside
31	908 008 720	1	key
32	908 008 725	1	key
33	908 008 730	1	key
34	921 600 030	1	clamp coupling
35	921 600 025	1	clamp coupling
36	921 117 106	2	V-belt
37	921 220 112	1	V-belt pulley
38	921 220 170	1	V-belt pulley
39	921 300 071	1	V-belt pulley
40	924 106 003	2	camp
41	924 110 206	2	camp
42	924 140 205	2	flange bearings
43	950 010 009	1	side bars
44	950 010 012	1	tension pulley holder
45	950 010 247	1	side bars
46	765 065 100	1	basic housing 65 AB
47	765 000 016	1	blind cover
48	C04385	8	spacer

2.24 Flail mower 80 AB - Assembly - C01246 R02



Flail mower 80 AB - Assembly - C01246 R02

No.	Art.-No.	No.	designation
1	765 080 100	1	flail housing 80 AB
2	765 000 015	1	V-belt guard
3	765 000 041	2	holder for intermediate shaft
4	765 065 190	2	wrap protection
5	765 080 013	1	intermediate shaft
6	765 080 014	1	wave protection
7	C06593	1	collision protection
8	905,915,000	1	retaining ring outside
9	906,035,000	2	retaining ring inside
10	908 008 720	1	key
11	908 008 725	1	key
12	908 008 730	1	key
13	909 302 030	1	clamp coupling
14	909 600 025	1	clamp coupling
15	921 117 106	2	V-belt
16	921 220 112	1	V-belt pulley
17	921 220 170	1	V-belt pulley
18	921 300 071	1	V-belt pulley
19	924 106 003	2	camp
20	924 110 206	2	camp
21	924 140 205	2	flange bearings
22	950 010 012	1	tension pulley holder
23	765 000 016	1	blind cover
24	C04385	8	spacer
25	C06977	1	socket
26	902 308 016	4	grub screw
27	950 010 247	1	side bars
28	950 010 009	1	side bars
29	910,006,000	2	grease nipple
30	901 006 016	2	hexagon screw without shaft
31	905,006,000	2	spring ring
32	905 206 025	2	K-disk
33	901 008 016	10	hexagon screw without shaft
34	903 608 020	4	slotted round-head screw
35	901 008 025	2	hexagon screw without shaft
36	901 008 080	2	hexagon screw without shaft
37	905,108,000	32	U-disk
38	900 008 002	18	lock nut
39	901 010 025	12	hexagon screw without shaft
40	901 010 030	1	hexagon screw without shaft
41	901 110 060	1	hexagon screw with shaft
42	901 010 080	2	hexagon screw without shaft
43	905,110,000	30	U-disk
44	905,210,000	1	K-disk
45	900 010 002	15	lock nut
46	901 012 040	4	hexagon screw without shaft
47	901 012 050	4	hexagon screw without shaft
48	901 912 040	8	carriage bolt
49	905,112,000	34	U-disk
50	900 012 002	16	lock nut
51	950 900 100	1	Kersten stickers
52	999,049,000	2	lubrication point stickers

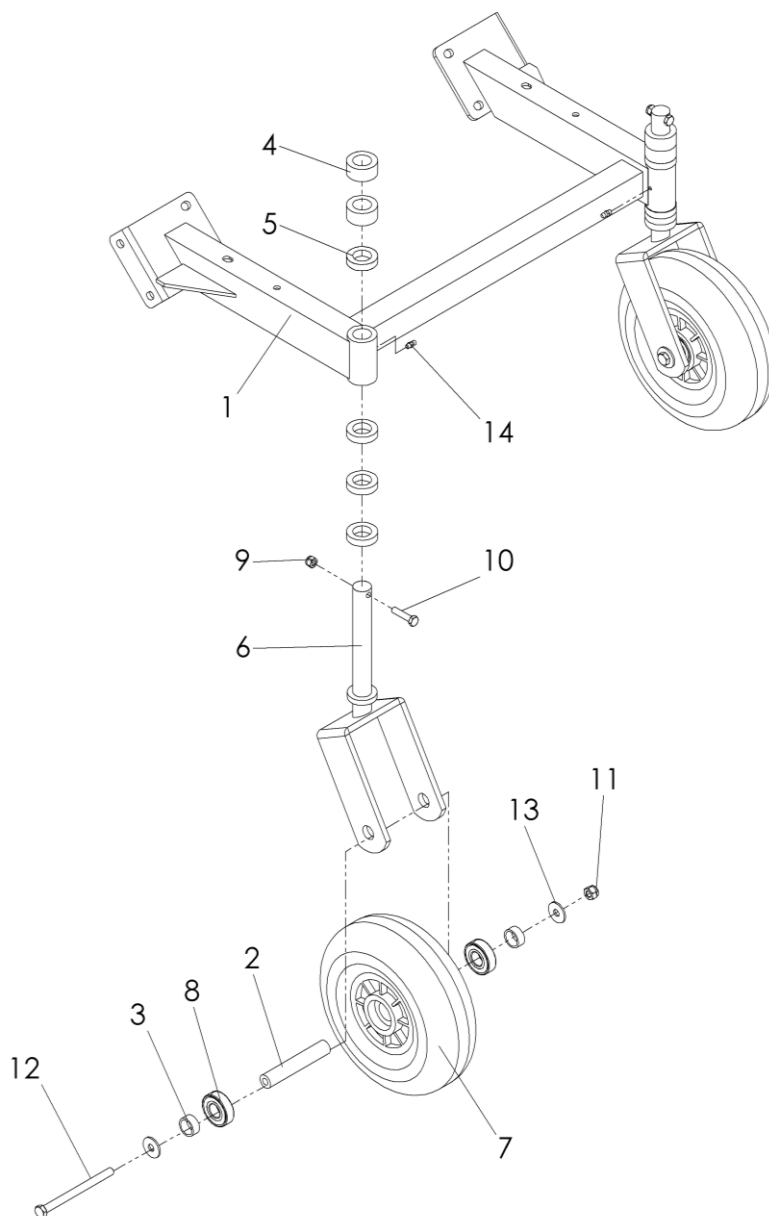
2.25 Flail mower 100 AB - Assembly - C01247 R02

No.	Art.-No.	No.	designation
1	765 100 100	1	flail housing 100 AB
2	765 000 015	1	V-belt guard
3	765 000 041	2	holder for intermediate shaft
4	765 065 190	2	wrap protection
5	765 100 013	1	intermediate shaft
6	765 080 014	1	wave protection
7	C06593	1	collision protection
8	905,915,000	1	retaining ring outside
9	906,035,000	2	retaining ring inside
10	908 008 720	1	key
11	908 008 725	1	key
12	908 008 730	1	key
13	909 302 030	1	clamp coupling
14	909 600 025	1	clamp coupling
15	921 117 106	2	V-belt
16	921 220 112	1	V-belt pulley
17	921 220 170	1	V-belt pulley
18	921 300 071	1	V-belt pulley
19	924 106 003	2	camp
20	924 110 206	2	camp
21	924 140 205	2	flange bearings
22	950 010 012	1	tension pulley holder
23	765 000 016	1	blind cover
24	C04385	8	spacer
25	C06977	1	socket
26	902 308 016	4	grub screw
27	950 010 247	1	side bars
28	950 010 009	1	side bars
29	910,006,000	2	grease nipple
30	901 006 016	2	hexagon screw without shaft
31	905,006,000	2	spring ring
32	905 206 025	2	K-disk
33	901 008 016	14	hexagon screw without shaft
34	903 608 020	4	slotted round-head screw
35	901 008 025	2	hexagon screw without shaft
36	901 008 080	2	hexagon screw without shaft
37	905,108,000	40	U-disk
38	900 008 002	22	lock nut
39	901 010 025	12	hexagon screw without shaft
40	901 010 030	1	hexagon screw without shaft
41	901 110 060	1	hexagon screw with shaft
42	901 010 080	2	hexagon screw without shaft
43	905,110,000	30	U-disk
44	905,210,000	1	K-disk
45	900 010 002	15	lock nut
46	901 012 040	4	hexagon screw without shaft
47	901 012 050	4	hexagon screw without shaft
48	901 912 040	8	carriage bolt
49	905,112,000	34	U-disk
50	900 012 002	16	lock nut
51	950 900 100	1	Kersten stickers
52	999,049,000	2	lubrication point stickers

2.26 Flail mower 120 AB - Assembly - C01248 R02

No.	Art.-No.	No.	designation
1	765 120 100	1	flail housing 120 AB
2	765 000 015	1	V-belt guard
3	765 000 041	2	holder for intermediate shaft
4	765 065 190	2	wrap protection
5	765 120 013	1	intermediate shaft
6	765 080 014	1	wave protection
7	C06593	1	collision protection
8	905,915,000	1	retaining ring outside
9	906,035,000	2	retaining ring inside
10	908 008 720	1	key
11	908 008 725	1	key
12	908 008 730	1	key
13	909 302 030	1	clamp coupling
14	909 600 025	1	clamp coupling
15	921 117 106	2	V-belt
16	921 220 112	1	V-belt pulley
17	921 220 170	1	V-belt pulley
18	921 300 071	1	V-belt pulley
19	924 106 003	2	camp
20	924 110 206	2	camp
21	924 140 205	2	flange bearings
22	950 010 012	1	tension pulley holder
23	765 000 016	1	blind cover
24	C04385	8	spacer
25	C06977	1	socket
26	902 308 016	4	grub screw
27	950 010 247	1	side bars
28	950 010 009	1	side bars
29	910,006,000	2	grease nipple
30	901 006 016	2	hexagon screw without shaft
31	905,006,000	2	spring ring
32	905 206 025	2	K-disk
33	901 008 016	14	hexagon screw without shaft
34	903 608 020	4	slotted round-head screw
35	901 008 025	2	hexagon screw without shaft
36	901 008 080	2	hexagon screw without shaft
37	905,108,000	40	U-disk
38	900 008 002	22	lock nut
39	901 010 025	12	hexagon screw without shaft
40	901 010 030	1	hexagon screw without shaft
41	901 110 060	1	hexagon screw with shaft
42	901 010 080	2	hexagon screw without shaft
43	905,110,000	30	U-disk
44	905,210,000	1	K-disk
45	900 010 002	15	lock nut
46	901 012 040	4	hexagon screw without shaft
47	901 012 050	4	hexagon screw without shaft
48	901 912 040	8	carriage bolt
49	905,112,000	34	U-disk
50	900 012 002	16	lock nut
51	950 900 100	1	Kersten stickers
52	999,049,000	2	lubrication point stickers

2.27 Wheel holder 65 AB - C01218 R01



No.	Art.-No.	No.	designation
1	765,000,165	1	wheel holder
2	705 205 113	2	wheel axle
3	705 273 115	4	spacer ring
4	713 020 040	4	spacer ring
5	950 010 006	8	spacer ring
6	950 010 005	2	wheel fork
7	926 154 135	2	wheel
8	924 106 204	4	camp
9	900 008 002	2	lock nut
10	901 008 035	2	hexagon screw without shaft
11	900 010 002	2	lock nut
12	901 110 130	2	hexagon screw with shaft
13	905,210,000	4	K-disk
14	910,006,000	2	grease nipple

2.28 Wheel holder 80 AB - C01137 R01

No.	Art.-No.	No.	designation
1	765 080 110	1	wheel holder
2	705 205 113	2	wheel axle
3	705 273 115	4	spacer ring
4	713 020 040	4	spacer ring
5	950 010 006	8	spacer ring
6	950 010 005	2	wheel fork
7	926 154 135	2	wheel
8	924 106 204	4	camp
9	900 008 002	2	lock nut
10	901 008 035	2	hexagon screw without shaft
11	900 010 002	2	lock nut
12	901 110 130	2	hexagon screw with shaft
13	905,210,000	4	K-disk
14	910,006,000	2	grease nipple

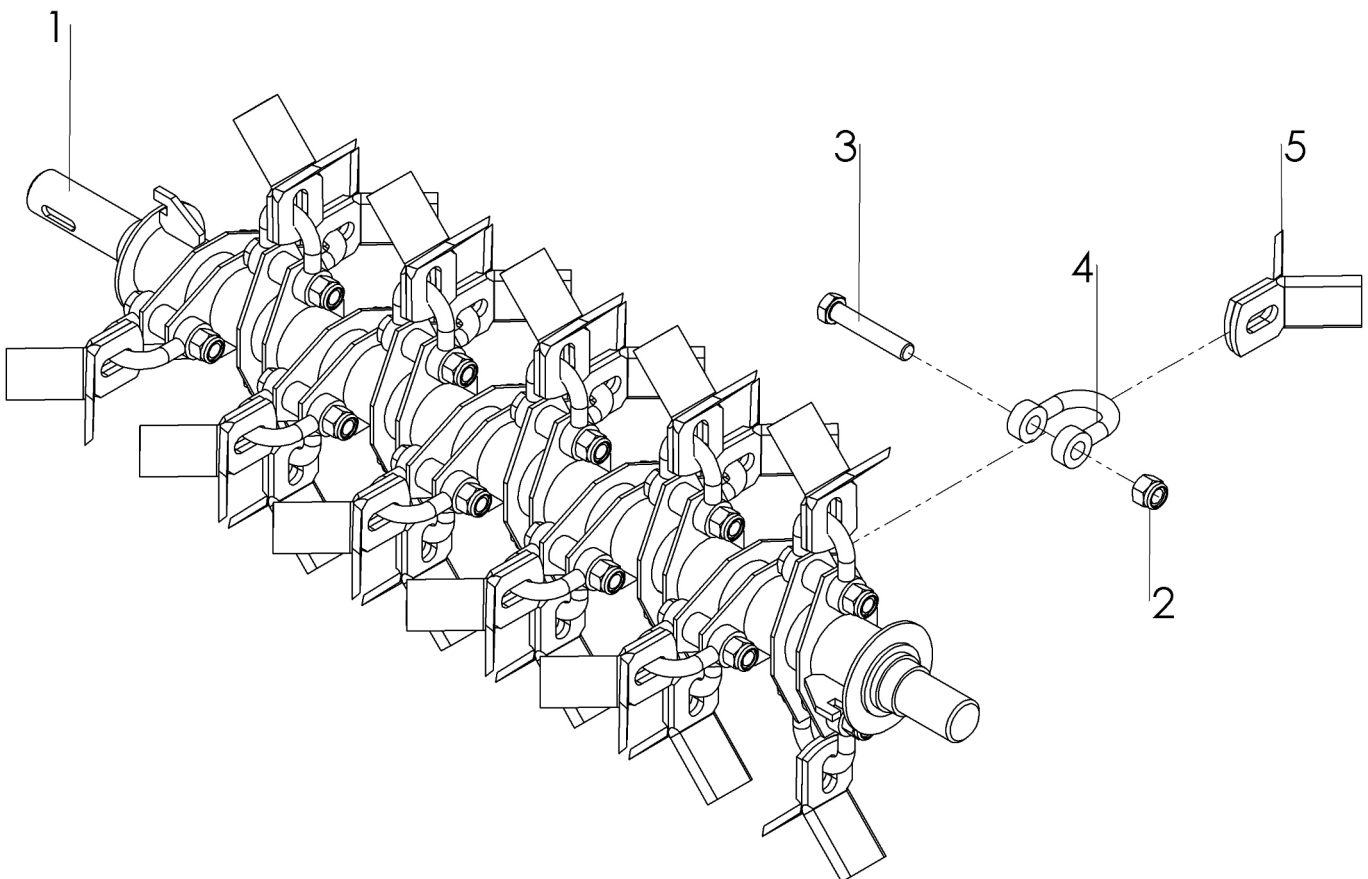
2.29 Wheel holder 100 AB - C01231 R01

No.	Art.-No.	No.	designation
1	765 100 110	1	wheel holder
2	705 205 113	2	wheel axle
3	705 273 115	4	spacer ring
4	713 020 040	4	spacer ring
5	950 010 006	8	spacer ring
6	950 010 005	2	wheel fork
7	926 154 135	2	wheel
8	924 106 204	4	camp
9	900 008 002	2	lock nut
10	901 008 035	2	hexagon screw without shaft
11	900 010 002	2	lock nut
12	901 110 130	2	hexagon screw with shaft
13	905,210,000	4	K-disk
14	910,006,000	2	grease nipple

2.30 Wheel holder 120 AB - C01151 R01

No.	Art.-No.	No.	designation
1	765 120 130	1	wheel holder
2	705 205 113	3	wheel axle
3	705 273 115	6	spacer ring
4	713 020 040	6	spacer ring
5	950 010 006	12	spacer ring
6	950 010 005	3	wheel fork
7	926 154 135	3	wheel
8	924 106 204	6	camp
9	900 008 002	3	lock nut
10	901 008 035	3	hexagon screw without shaft
11	900 010 002	3	lock nut
12	901 110 130	3	hexagon screw with shaft
13	905,210,000	6	K-disk
14	910,006,000	2	grease nipple

2.31flail shaft 65 AB -C01417 R00



No.	Art.-No.	No.	designation
1	950 010 610	1	flail shaft complete 65 AB
2	900 012 002	20	lock nut
3	901 112 065	20	hexagon screw
4	950 014 001	20	hanger

Optional

No.	Art.-No.	No.	designation
5	950 014 002	40	coarse cutting flail
5	950 014 003	20	fine-cut flail

2.32 flail shaft 80 AB - C01241 R00

No.	Art.-No.	No.	designation
1	765 080 300	1	flail shaft complete 80 AB
2	900 012 002	24	lock nut
3	901 112 065	24	hexagon screw
4	950 014 001	24	hanger

Optional

No.	Art.-No.	No.	designation
5	950 014 002	48	coarse cutting flail
5	950 014 003	24	fine-cut flail

2.33 Flail shaft 100 AB - C01242 R00

No.	Art.-No.	No.	designation
1	765 100 300	1	flail shaft complete 100 AB
2	900 012 002	32	lock nut
3	901 112 065	32	hexagon screw
4	950 014 001	32	hanger

Optional

No.	Art.-No.	No.	designation
5	950 014 002	64	coarse cutting flail
5	950 014 003	32	fine-cut flail

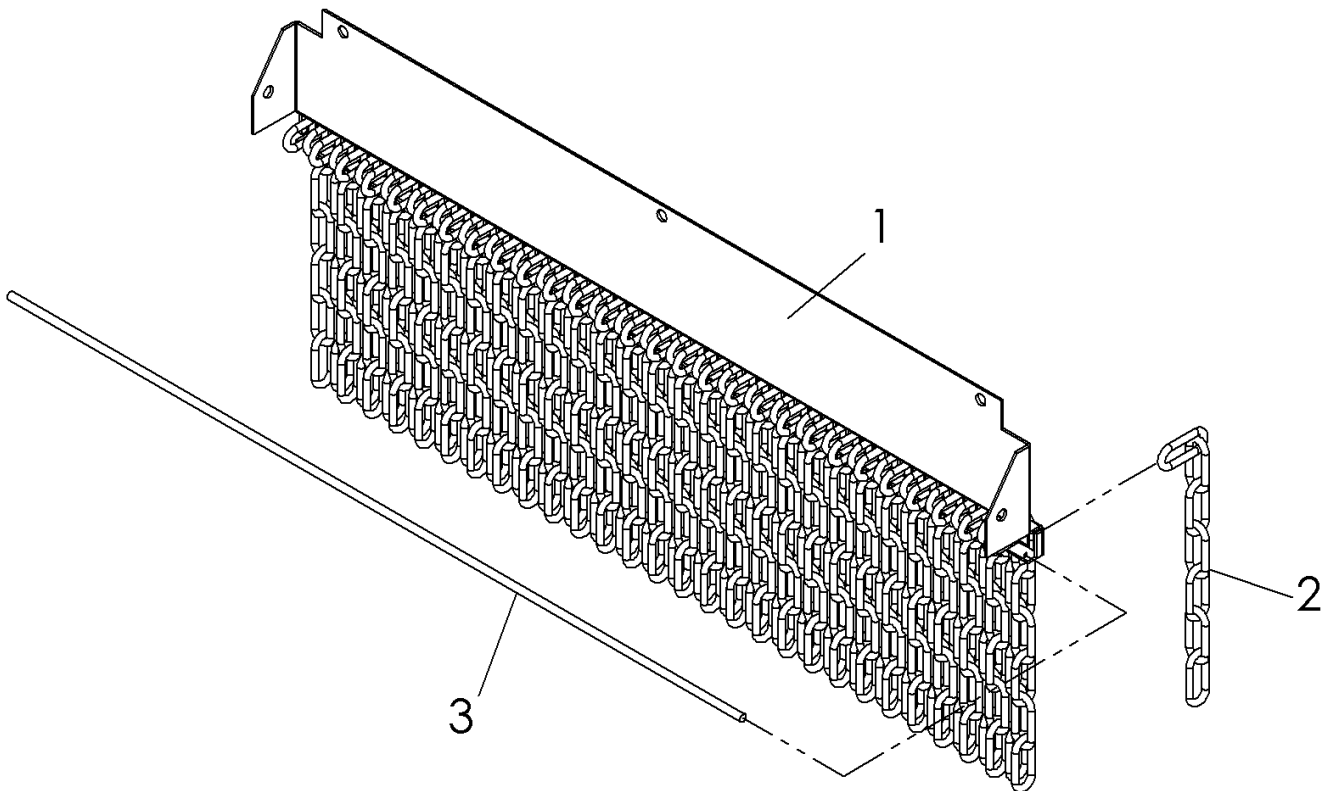
2.34 Flail shaft 120 AB - C01243 R00

No.	Art.-No.	No.	designation
1	765 100 118	1	flail shaft complete 120 AB
2	900 012 002	38	lock nut
3	901 112 065	38	hexagon screw
4	950 014 001	38	hanger

Optional

No.	Art.-No.	No.	designation
5	950 014 002	76	coarse cutting flail
5	950 014 003	38	fine-cut flail

2.35 Chain guard front 65 AB - C01219 R01



No.	Art.-No.	No.	designation
1	C00348	1	Screw-on bar chain guard front 65 AB
2	923 202 007	56	front chain set-7 links
3	C01140	1	Mounting bar chain set 65 AB

2.36 Front chain guard 80 AB - C01138 R01

No.	Art.-No.	No.	designation
1	C00350	1	Screw-on bar chain guard 80 AB
2	923 202 007	66	front chain set - 7 links
3	C01141	1	Mounting bar chain set 80 AB

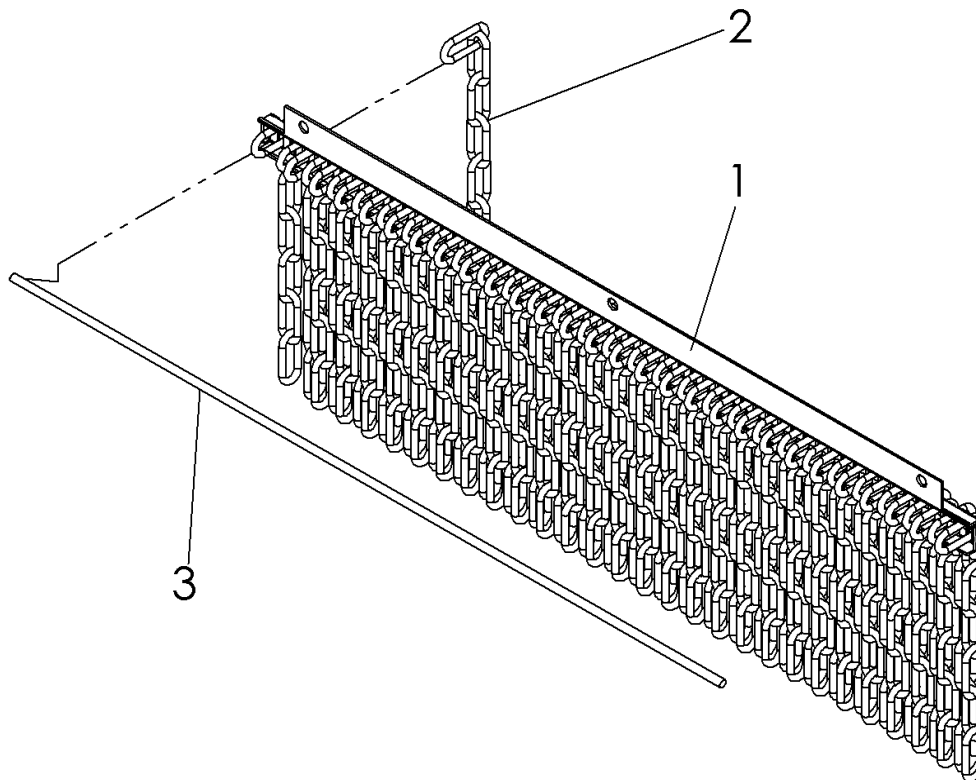
2.37 Front chain guard 100 AB - C01153 R01

No.	Art.-No.	No.	designation
1	C00352	1	Screw-on bar chain guard front 100 AB
2	923 202 007	86	front chain set - 7 links
3	C01157	1	Mounting bar chain set 100 AB

2.38 Front chain guard 120 AB - C01148 R01

No.	Art.-No.	No.	designation
1	C00356	1	Screw-on bar chain guard 120 AB
2	923 202 007	101	front chain set - 7 links
3	C01158	1	Mounting bar chain set 120 AB

2.39 Rear chain guard 65 AB - C01220 R01



No.	Art.-No.	No.	designation
1	C00347	1	screw-on bar chain guard
2	923 202 007	56	rear chain set - 7 links
3	C01140	1	mounting rod chain set

2.40 Rear chain guard 80 AB - C01139 R01

No.	Art.-No.	No.	designation
1	C00349	1	screw-on rail chain guard rear
2	923 202 007	66	rear chain set - 7 links
3	C01141	1	mounting rod chain set

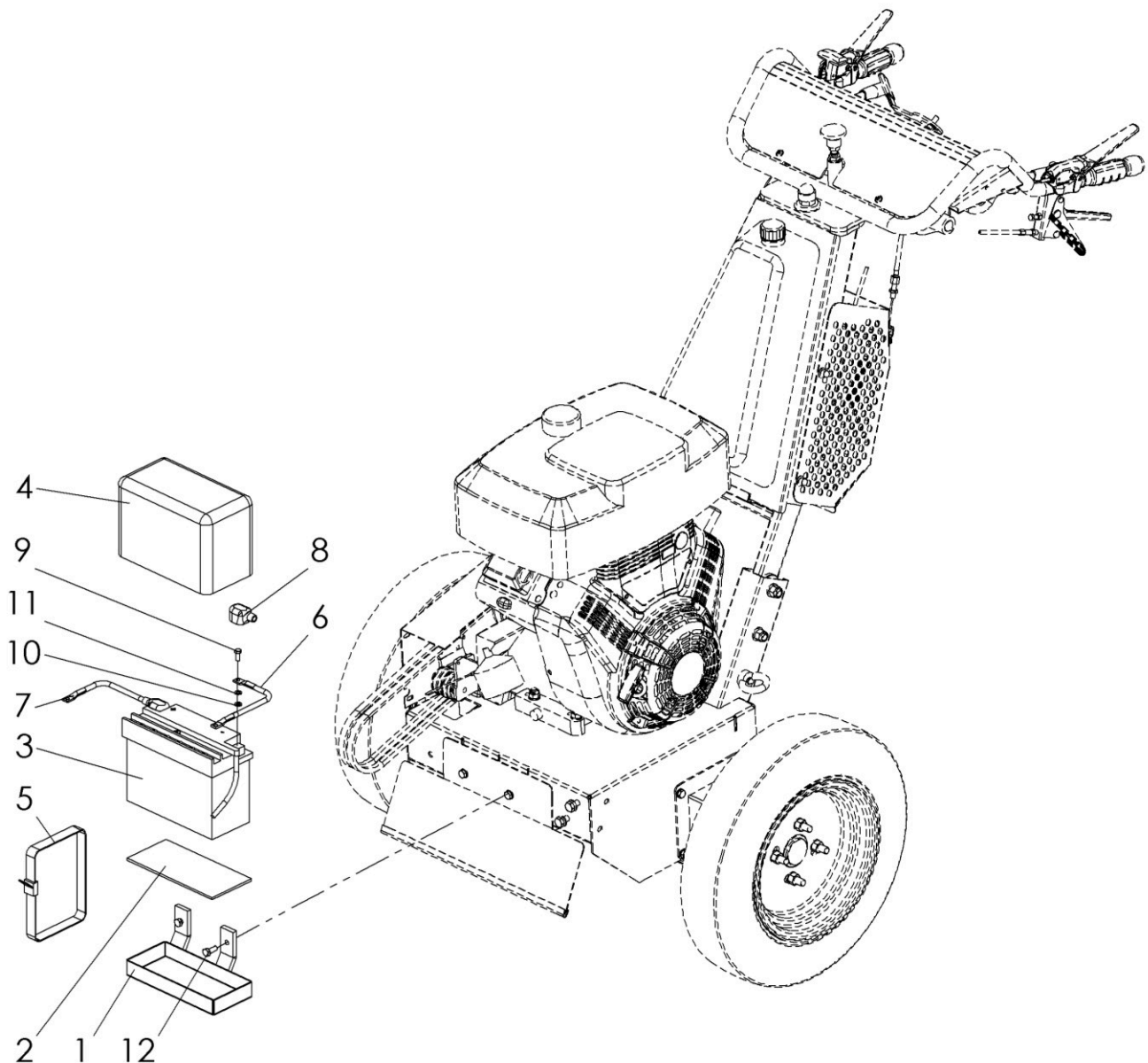
2.41 Rear chain guard 100 AB - C01154 R01

No.	Art.-No.	No.	designation
1	C00351	1	screw-on bar chain guard rear 100AB
2	923 202 007	86	rear chain set - 7 links
3	C01157	1	mounting rod chain set

2.42 Rear chain guard 120 AB - C01149 R01

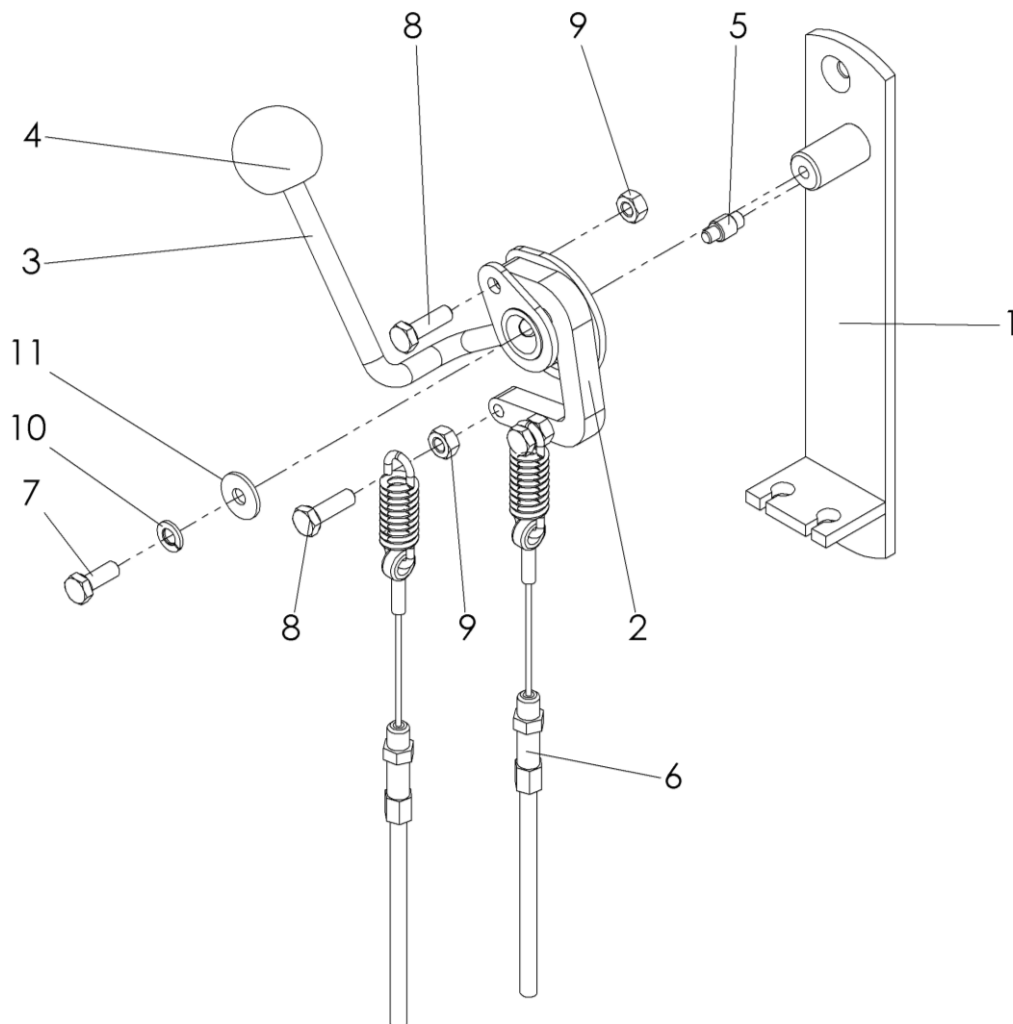
No.	Art.-No.	No.	designation
1	C00355	1	Screw-on bar chain guard rear 120 AB
2	923 202 007	101	rear chain set - 7 links
3	C01158	1	Mounting bar chain set 120 AB

2.43 E-Start for RoughCutter - C03687 R00



No.	Art.-No.	No.	designation
1	767 000 079	1	battery holder
2	700 000 305	1	battery support
3	960 011 220	1	battery 12V 20 Ah
4	960 031 001	1	battery cover
5	960 031 000	1	battery band
6	C03694	1	wiring (-)
7	C03694	1	wiring (+)
8	960 041 000	2	polar cap
9	901 006 016	2	hexagon screw without shaft
10	905,106,000	2	U-disk
11	905,006,000	2	spring ring
!"	901 008 020	2	hexagon screw without shaft

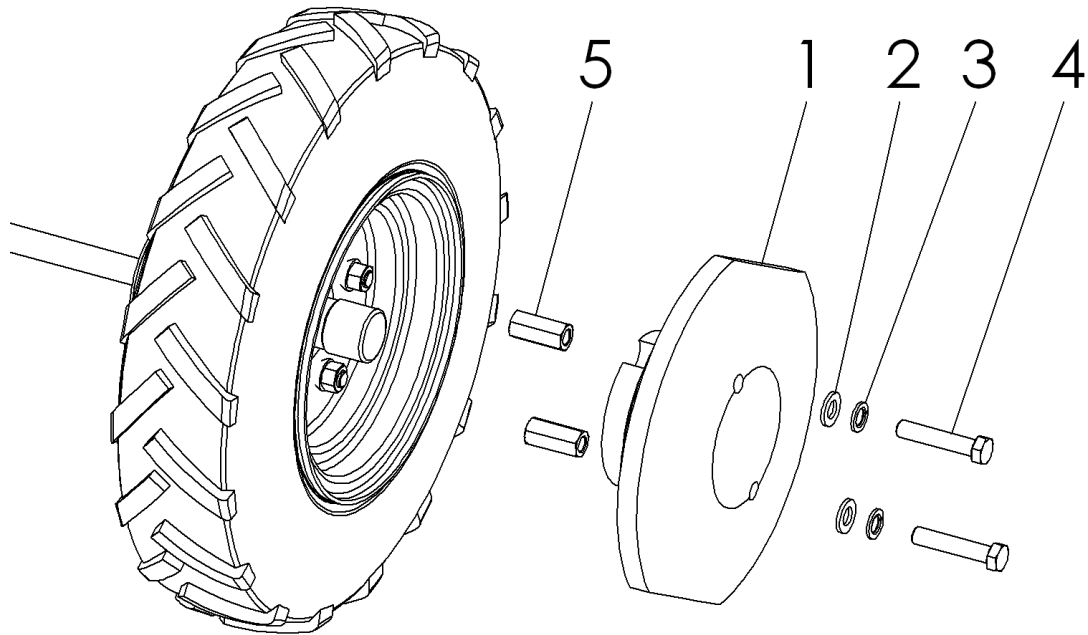
2.44 Lever mechanism for parking brake on the guide bar (double cable) C03949 R00



No.	Art.-No.	No.	designation
1	767,000,133	1	screwing plate FSB
2	767,000,134	1	deflection bracket
3	767,000,132	1	operating lever FSB
4	941 220 008	1	ball button
5	C01963	1	stop pin
6	941 050 170	2	parking brake cable
7	901 006 016	1	hexagon screw without shaft
8	901 006 020	3	hexagon screw without shaft
9	900 006 001	3	Skt.-Mutter
10	905,006,000	1	spring ring
11	905 206 025	1	K-disk

3 Accesories

3.1 Wheel weights - C00122 R00



No.	Art.-No.	No.	designation
1	945 104 008	2	wheel weight
2	905,112,000	4	U-disk
3	905,012,000	4	spring ring
4	901 012 060	4	hexagon screw
5	902 812 040	4	threaded sleeve

4 Miscellaneous

4.1 Tire and wheel hub list - D00001 R01

type	tire size	tire tread	Art.-No.	wheel hub Art.-No.	wheel hub for parking brake Art.-No.	wheel motor Art.-No.
K 820	4.00-8	block	926 141 408	712 000 022	-	-
	4.00-8	Ackerstollen	926 110 408	712 000 022	-	-
K 1500	4.00-8	block	926 140 408	700 000 022	-	-
K 2000	4.00-8	Ackerstollen	926 110 408	700 000 022	-	-
K 2100	16x6.50-8	block	926 130 168	700 000 023	-	-
	16x6.50-8	Ackerstollen	926 110 168	700 000 023	-	-
UBS Easy	4.00-8	block	926 140 408	700 000 022	-	-
	4.00-8	Ackerstollen	926 110 408	700 000 022	-	-
	16x6.50-8	block	926 130 168	700 000 023	-	-
	16x6.50-8	Ackerstollen	926 110 168	700 000 023	-	-
UBS Hydro	4.00-8	block	926 140 408	767 410 006	767,000,141	935 102 315
	4.00-8	Ackerstollen	926 110 408	767 410 006	767,000,141	935 102 315
	5.00-10	Ackerstollen	926 110 510	767 410 006	767,000,141	935 102 315
	16x6.50-8	block	926 130 168	767 187 006	767,000,142	935 102 315
	16x6.50-8	Ackerstollen	926 110 168	767 187 006	767,000,142	935 102 315
	18x7.00-8	Ackerstollen	926 110 187	767 187 006	767,000,142	935 102 315
UBS Master	18x9.50-8	Ackerstollen	926 110 188	-	767,000,129	935 103 400
	21x11.00-8	Ackerstollen	926 111 108	-	767,000,129	935 103 400
UBS Alpin	18x9.50-8	Ackerstollen	926 110 188	-	C00976	935 101 400
	21x11.00-8	Ackerstollen	926 111 108	-	C00976	935 101 400
RoughCutter	4.00-10	Ackerstollen	926 110 410	767 410 006	767,000,141	
	5.00-10	Ackerstollen	926 110 510	767 410 006	767,000,141	
	18x9.50-8	Ackerstollen	926 110 188	767 189 006	767,000,129	
	21x11.00-8	Ackerstollen	926 111 108	767 189 006	767,000,129	
VertiCutter	4.00-10	Ackerstollen	926 110 410	767 410 006	-	-
	18x7.00-8	Ackerstollen	726 110 187	767 187 006	-	-
SafetyCutter	18x9.50-8	Ackerstollen	926 110 188	767 189 006	767,000,129	935 103 400
	21x11.00-8	Ackerstollen	926 111 108	767 189 006	767,000,129	935 103 400
tiller	16x6.50-8	Ackerstollen	926 110 168	760,000,024	-	-
Vento	4.00-8	block	926 140 484	700 000 022	-	-
	4.00-8	Ackerstollen	926 130 408	700 000 022	-	-
	16x6.50-8	block	926 130 168	700 000 023	-	-
Vela	16x6.50-8	block	926 130 168	700 000 023	-	-